

**Jøtul GF 500 DV IPI
Portland
Direct Vent Gas Stove**

Steel Burner / Pilot-on-Demand

Installation and Operation Instructions

APPLICABLE TO UNIT SERIAL NUMBERS ABOVE 46003113.
See shipping label and stove rating plate.

*Conforms to ANSI Z21.88-2016 • CSA 2.33-2017
and CAN/CGA 2.17-Mg1.*

INSTALLER: Leave this manual with the appliance.
CONSUMER: Retain this manual for future reference.

WARNING: If the information in these instructions is not followed exactly, a fire or explosion may result causing property damage, personal injury or loss of life.

- Do not store or use gasoline or other flammable vapors and liquids in the vicinity of this or any other appliance.
- **WHAT TO DO IF YOU SMELL GAS**
 - Do not try to light any appliance.
 - Do not touch any electrical switch; do not use any phone in your building.
 - Immediately call your gas supplier from a neighbor's phone. Follow the gas supplier's instructions.
 - If you cannot reach your gas supplier, call the fire department.
- Installation and service must be performed by a qualified installer, service agency or the gas supplier.
- In the Commonwealth of Massachusetts, a carbon monoxide (CO) detector shall be installed in the same room as the appliance.

This appliance may be installed in an aftermarket, permanently located, manufactured home or mobile home, where not prohibited by local codes. This appliance is only for use with the types of gas indicated on the rating plate. A conversion kit is supplied with the appliance.

⚠ DANGER



**HOT GLASS WILL CAUSE BURNS.
DO NOT TOUCH GLASS UNTIL COOLED.
NEVER ALLOW CHILDREN TO TOUCH GLASS.**

A barrier designed to reduce the burn hazard from the glass viewing area is provided with this appliance and shall be installed for the protection of children and other at-risk individuals.

THIS OWNER'S MANUAL PROVIDES INFORMATION TO ENSURE SAFE INSTALLATION AND EFFICIENT, DEPENDABLE OPERATION OF THIS APPLIANCE. PLEASE READ THESE INSTRUCTIONS IN THEIR ENTIRETY AND MAKE THEM AVAILABLE TO ANYONE USING OR SERVICING THIS GAS INSERT.

DO NOT ATTEMPT TO ALTER OR MODIFY THE CONSTRUCTION OF THIS APPLIANCE OR ITS COMPONENTS. ANY MODIFICATION OR ALTERATION WILL VOID THE WARRANTY, CERTIFICATION AND LISTING OF THIS APPLIANCE.

THIS APPLIANCE MUST BE INSTALLED AND MAINTAINED BY A QUALIFIED SERVICE TECHNICIAN OR AGENCY.

Suggested Tools for Installation and Service

- External regulator (for Propane only)
- Piping which complies with local code
- Manual shut-off valve - T-Handle required in Massachusetts
- Sediment trap - if required by code
- Tee joint
- Pipe wrench
- Pipe sealant
- 10 mm open end wrench
- 1/2", 7/16" open end wrench
- Phillips head screwdriver
- Flat head screwdriver
- 1/4" nut driver
- Gloves
- Safety glasses
- Torx T-20 screwdriver
- Tin snips

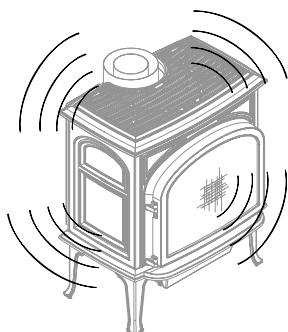
PLEASE NOTE:

Initial Break-in

It is normal for smoke and odor to occur during the initial stages of operation, depending upon temperatures generated over time. This "curing" condition can be alleviated by promoting fresh air circulation within the immediate vicinity of the appliance. Please see page 22 for further information.

Operation Sound

Please be aware that cast iron and steel components expand and contract with temperature fluctuations that



are often accompanied by "creaking" or "pinging" sounds. This is the result of natural thermal activity. The optional blower fan will also generate a slight hum at the low setting and progressively increase with the velocity of forced air.

Installation Requirements for the Commonwealth of Massachusetts

THIS PRODUCT MUST BE INSTALLED BY A LICENSED MASTER OR JOURNEYMAN PLUMBER OR GAS-FITTER WHEN INSTALLED IN THE COMMONWEALTH OF MASSACHUSETTS.

1. If there is not one already present, on each floor level where there are bedroom(s), a carbon monoxide detector and alarm shall be placed in the living area outside the bedroom(s). The carbon monoxide detector shall comply with NFPA 720 (2005 Edition).
2. A carbon monoxide detector shall:
 - a) Be located in the room that houses the appliance or equipment;
 - b) Be either hard-wired or battery powered or both; and
 - c) Shall comply with NFPA 720 (2005 Edition).
3. A Product-approved vent terminal must be used, and if applicable, a Product-approved air intake must be used. Installation shall be in strict compliance with the manufacturer's instructions. A copy of the installation instructions must remain with the appliance or equipment at the completion of the installation.



We recommend that our gas products be installed and serviced by professionals who are certified in the U.S. by the National Fireplace Institute® (NFI) as NFI Gas Specialists.

Canada

ENERGUIDE

Gas Fireplace Energy Efficiency Rating

Natural Gas / 76.01%
Propane / 76.52%

Based on CSA P.4.1-15



Model No. Jøtul GF 500 DV IPI

Table of Contents

- 1. Specifications4
- 2. Initial Assembly 5
 - Rear Exit Vent Conversion 6
- 3. General Information 7
- 4. Safety Information 7
- 5. Installation Requirements.....8
 - Location 8
 - Floor Protection 8
 - Clearances 8
 - Alcove 8
 - Mantel & Trim 9
 - Venting Requirements.....10
 - Vent Restriction.....10
 - Termination Matrix11
 - Vertical Termination..... 12
 - Horizontal Termination.....14
 - Vent Terminal Clearances 15
- 6. Fuel Conversion 16
- 7. Gas Connection 19
- 8. Gas Pressure 20
- 9. High Altitude Adjustment 20
- 10. Optional Wall Thermostat..... 21
- 11. Optional Brick Panel Installation... 21
- 12. Premium Upgrade Kits
 - Flame Control22
 - Accent Lamp22
 - Blower23
- 13. Log Set Installation24
- 14. System Check 25
- 15. Flame Picture Adjustment..... 26
- 16. Operation Guidelines 27
 - Manual Operation..... 28
 - Remote Control29-33
- 17. Maintenance34
 - Glass Replacement..... 34
 - Battery Replacement - Transmitter..... 34
 - Battery Replacement - IFC 35
- 18. Appendix
 - Wiring Diagram35
 - Illustrated Parts Lists 36-39
 - Accessory Listing 39
 - Mobile Home Requirements40
- 19. Warranty Statement 41
- 20. Lighting Instructions.....43

Jøtul GF 500 DV IPI Portland

Direct Vent Gas Heater

Manufactured and Distributed by:
Jøtul North America
55 Hutcherson Dr.
Gorham, Maine 04038

Certified Test Standards

This appliance complies with National Safety standards and is tested and listed by Intertek Testing Services of Middleton, Wisconsin to ANSI Z21.88-2016 • CSA 2.33-2016, “Vented Gas Fireplace Heater” and CAN/CGA 2.17-M91.

WARNING:
 READ AND UNDERSTAND ALL OPERATING INSTRUCTIONS BEFORE ATTEMPTING TO OPERATE THIS APPLIANCE. DO NOT ALLOW ANYONE TO OPERATE THIS APPLIANCE WHO HAS NOT READ AND UNDERSTOOD THESE INSTRUCTIONS. KEEP THE REMOTE CONTROL TRANSMITTER WHERE CHILDREN CANNOT REACH IT.

WARNING:
 SEVERE INJURY. THIS APPLIANCE CAN BE SET TO OPERATE THERMOSTATICALLY. BE AWARE THAT THE FIREPLACE MAY BE VERY HOT EVEN WHEN THE BURNER IS NOT APPARENTLY OPERATING. KEEP CHILDREN AWAY FROM THE APPLIANCE.

WARNING:
 FIRE HAZARD. CAN CAUSE SEVERE INJURY OR DEATH. THE APPLIANCE CAN TURN ON SUDDENLY. KEEP AWAY FROM THE APPLIANCE BURNER WHEN OPERATING THE REMOTE SYSTEM.

1. GF 500 DV IPI Specifications

FAMILIARIZE YOURSELF WITH THE VENTING, CLEARANCE AND OTHER INSTALLATION REQUIREMENTS IN THIS MANUAL BEFORE BEGINNING THE INSTALLATION.

Input Rates

Natural Gas

40,000 BTU/hr. maximum input
12,800 BTU/hr. minimum input

Propane

39,500 BTU/hr. maximum input
14,000 BTU/hr. minimum input

Inlet Pressure:	MIN	MAX
Natural Gas:	5.0 WC (1.25 kPa)	7.0 WC (1.74 kPa)
Propane:	12.0 WC (3.0 kPa)	14.0 WC (3.48 kPa)

Manifold Pressure:	MIN	MAX
Natural Gas:	1.1 WC (.27 kPa)	3.80 WC (.95 kPa)
Propane:	2.9 WC (.72 kPa)	11.0 WC (2.74 kPa)

- SIT Proflame 2 Intermitent / Pilot-On-Demand Ignition - 120V / 60 Hz
- Steady State Efficiency: 74.26% NG / 74.76 % LP
- AFUE Efficiency: 68.17% NG / 67.60 % LP
- CSA P4.1-15 Fireplace Efficiency:
NG - 75.41% LP - 76.01%
- Factory Air Shutter Settings: NG - 1/16" LP - 1/8"
- Continuous Pilot Ignition Mode (CPI) is available
- Power Requirement: 120 VAC
Back-up Battery Pack: 4, AA - 1.5V
- Ambient Temperature Range: 32 -122°F (0 - 50°C)

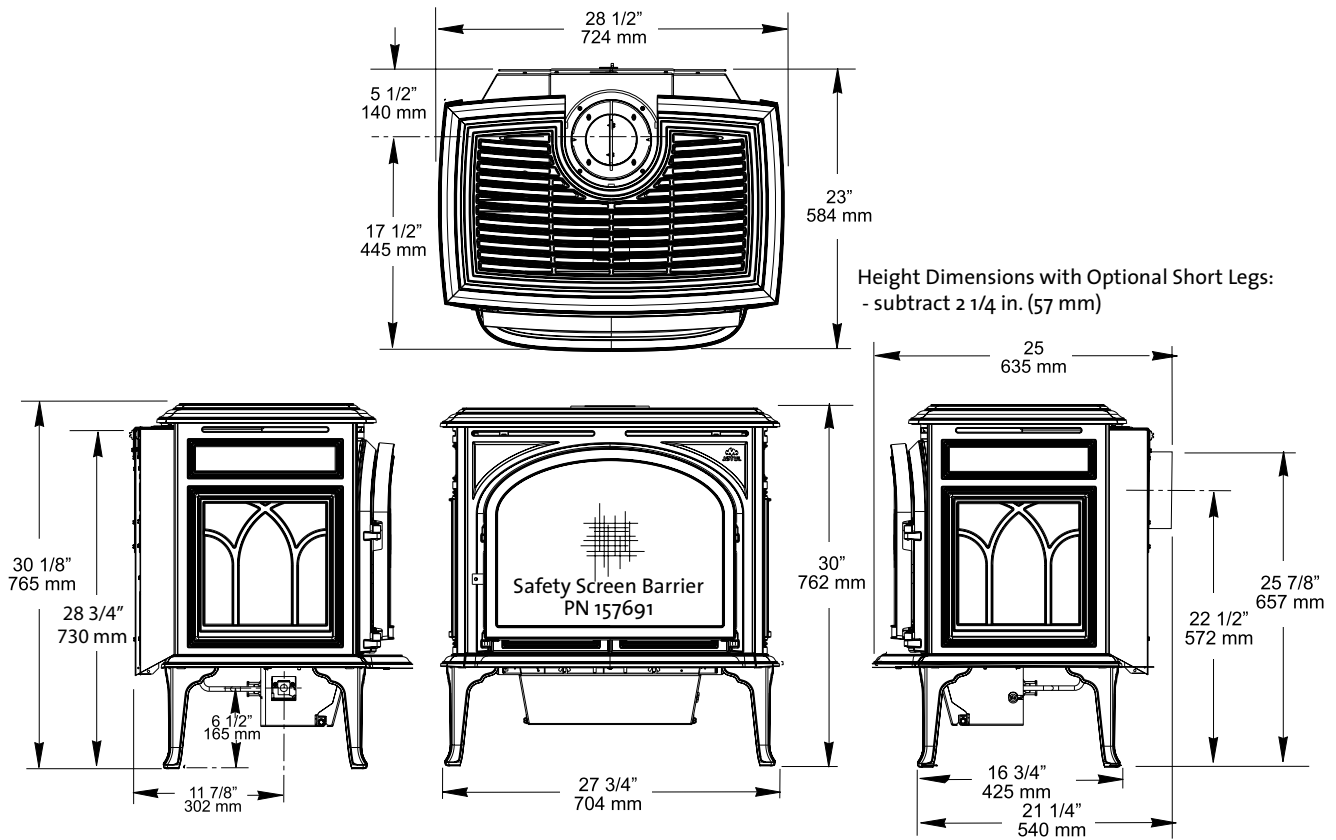


Figure 1. Dimensioned views, GF 500 DV IPI

2. Initial Assembly

CAUTION: Enamelled parts may be damaged if handled without care. The stove is heavy. Have assistance available to move the stove. Place removed parts on a blanket, towel, or other protective material.

1. **SAFETY BARRIER SCREEN:** This appliance is equipped with a Certified Barrier Screen that must be installed before operating the unit. It is secured to the shipping pallet. Remove those two screws and use pliers to break off each entire perforated sections from both screen frame attachment brackets. See fig. 2.1.
The barrier assembly attaches to the stove front by engaging the nylon-tipped mounting brackets over the stove door hinge bosses. The barrier may be installed with the stove doors either open or closed.
2. Remove the Top Plate of the stove by simply lifting it straight off of the stove body.
3. **To open the firebox:**
a) Remove four hex head screws using a 10 mm wrench and disengage the Top Convection Shroud from the top of the firebox. See fig. 2.2.

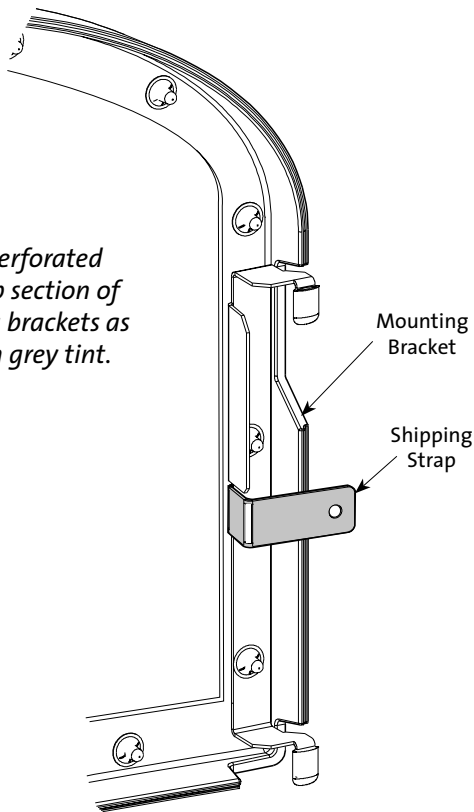


Figure 2.1.
Remove the perforated shipping strap section of the mounting brackets as shown here in grey tint.

- b) **Remove the Glass Frame** by disengaging the two spring latches located on top of the firebox as in fig. 2.2. Pull each handle forward to clear the latch from the notch in the frame and lift the frame straight up out of the stove.
4. Carefully, remove the Top Plate Insert, Misc. Kit and Log Set package from the firebox. Lift the logset up and pull forward. Try not to drag logset along burner surface as this can damage the burner and create debris. Remove and dispose of the sheet metal log shelf over the burner.
5. Install the backup batteries before connecting the stove to power. The batteries must be installed for the Auxiliary Burner to function. The battery box is located in the control compartment, behind the switch plates. Access the battery box from the rear of the stove. Disengage the box from the hook and loop tape and press the cover panel to open the tray.
6. **TO IMPROVE ACCESS, INSTALL ACCESSORIES SUCH AS THE ACCENT LAMP AND BLOWER, BEFORE REMOVING THE STOVE FROM THE PALLET.** Follow the instructions in this manual or those included with the accessory items.

Hardware Bag Contents

- Fuel Conversion Kit - LP157693
- Rock Wool (mineral fiber), 1 oz.157259
- Top Plate Insert (for Rear Exit applications)
- 1.5v AA Batteries, 4

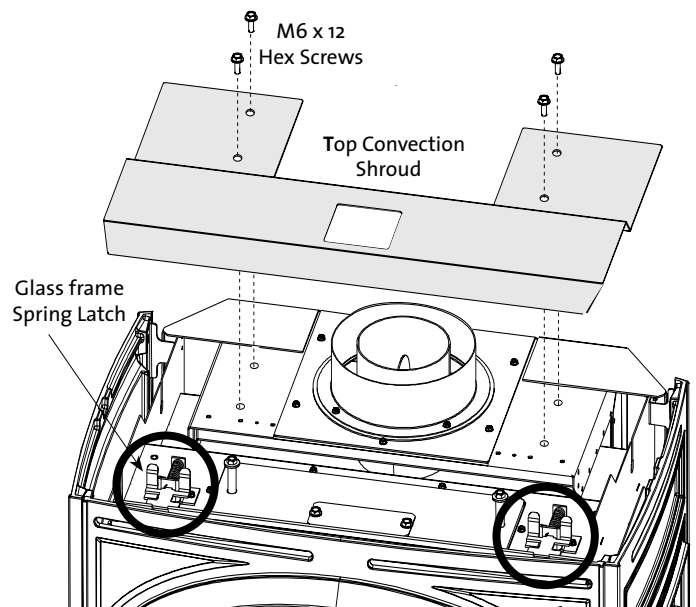


Figure 2.2. Remove the Top Convection Shroud and disengage the glass frame latches.

Rear Exit Vent Conversion

This stove is built in the top exit vent configuration. Follow the procedure below to convert the Vent Adaptor for a rear exit installation.

1. Use a 1/4" nut driver to remove four inner screws from around the Vent Adaptor collar. See fig. 2.3. Remove five screws from around the top perimeter, and five additional screws from the rear perimeter. The vent adaptor will come away as an assembly.
2. Remove four screws on the rear exhaust cover plate and re-install the cover plate over the top outlet. Figs. 2.4 and 2.5.
3. Orient the vent adaptor outlet to the rear and secure the assembly using the screws removed previously. Fig. 2.6.
4. After the Top Convection Shroud and Top Plate have been replaced, position the cast iron Top Plate Insert (#7, Fig. 18.2 Pg. 37) within the top plate outlet cut-out.

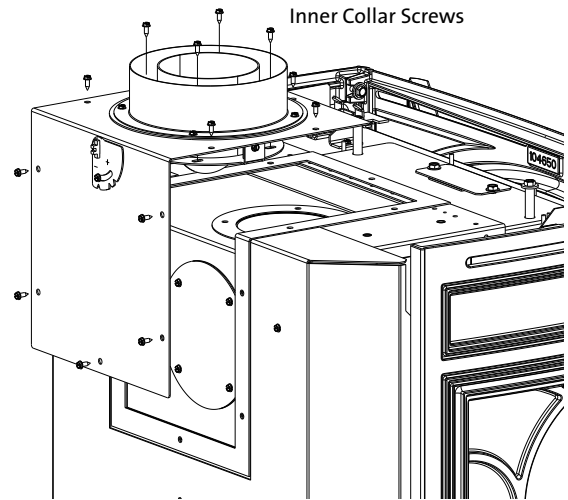


Figure 2.3. Remove 4 inner collar screws and 10 perimeter screws to detach the Vent Adaptor from the firebox.

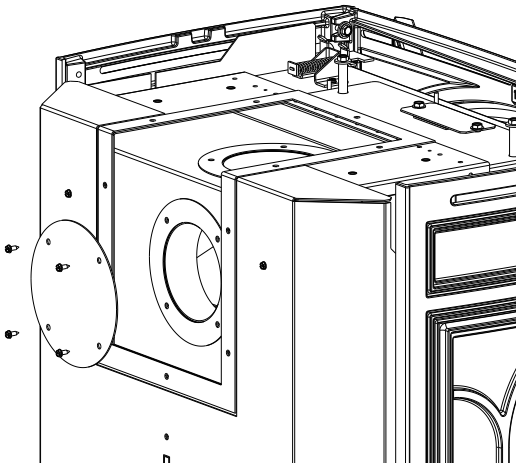


Figure 2.4. Remove cover plate from rear outlet.

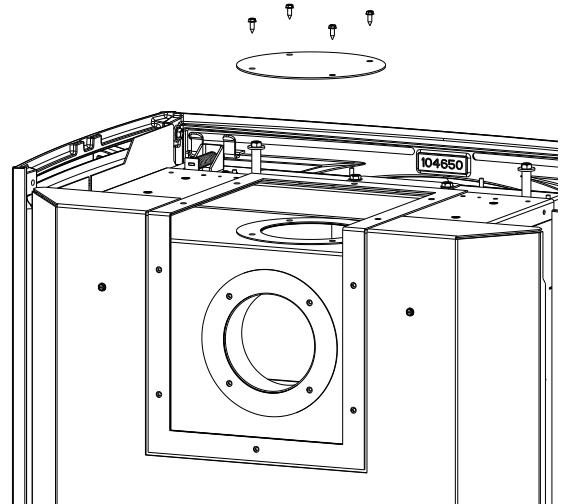


Figure 2.5. Install cover plate over top outlet.

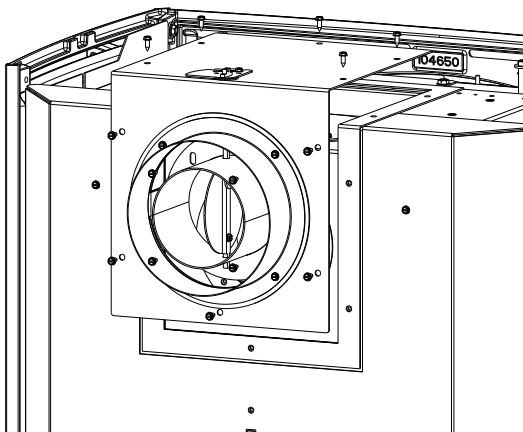


Figure 2.6. Rear exit orientation.

3. General Information

- **THIS HEATER MUST BE INSTALLED AND MAINTAINED BY A QUALIFIED SERVICE AGENCY.**
- The installation and repair of this appliance must be done by a qualified service person. Failure to properly install and maintain this heater could result in an unsafe or hazardous installation, which may result in a fire, explosion, property damage, personal injury or loss of life.
- This appliance should be inspected before use and at least annually. More frequent cleaning may be required due to excessive lint from carpeting, bedding material, etc. It is imperative that control compartments, burners, and circulating air passageways of the appliance be kept clean. See Maintenance, page 33, for details.
- **THIS APPLIANCE MUST NOT BE CONNECTED TO A CHIMNEY OR FLUE SERVING ANY OTHER APPLIANCE.**
- The installation must conform to local codes. Your local Jøtul dealer can assist you in determining what is required in your area for a safe and legal installation. Some areas require a permit to install a gas burning appliance. Always consult your local building inspector, or authority having jurisdiction, to determine what regulations apply in your area.
- **CODE COMPLIANCE :** Your local officials have final authority in determining if a proposed installation is acceptable. Any requirement that is requested by the local authority having jurisdiction, that is not specifically addressed in this manual, defaults to local code. In the absence of local codes, the installation requirements must comply with the current edition of National codes. In the U.S., these requirements are established in the National Fuel Code, ANSI Z223.1.(NFPA 54) current edition. In Canada, the codes have been established in CAN/CGA B149 Fuel Installation Code, current edition..
- **DO NOT OPERATE THIS STOVE IF ANY PART HAS BEEN UNDER WATER.** Call a qualified service technician to inspect the heater and to replace any part of the control system and any gas control which may have been under water.

4. Safety Information

- **Due to the high operating temperatures this appliance should be located out of traffic and away from furniture and draperies. Maintain proper clearance to combustible mantels and fireplace trim.**
- **Children and adults should be alerted to the hazards of high surface temperatures and should stay away to avoid burns or clothing ignition.**
- **Young children should be supervised while they are in the same room as the appliance. Toddlers, young children and others may be susceptible to accidental contact burns. A physical barrier, such as a child guard, is recommended to be used if there are at-risk individuals in the house. To restrict access to a fireplace or stove, install an adjustable safety gate to keep toddlers, young children and other at-risk individuals out of the room and away from hot surfaces.**
- **A barrier designed to reduce the risk of burns from the hot viewing glass is provided with this appliance and shall be installed for the protection of children and other at-risk individuals.**
- **If the barrier becomes damaged, the barrier shall be replaced with the manufacturer's barrier for this appliance. See fig. 72, page 33 for part numbers.**
- **Any safety screen, guard, or barrier removed for servicing an appliance must be replaced prior to operating the appliance.**
- **Clothing or other flammable materials should not be placed on or near the fireplace.**
- **Never allow anyone to use the fireplace if they are unfamiliar with its operation.**
- **NEVER store or use gasoline or any other flammable vapors or liquids in the vicinity of this appliance.**
- **Never burn any solid materials (wood, cardboard, paper, coal, etc.) in this appliance. Use with natural gas or propane fuel ONLY.**
- **Do not slam or strike the glass panel.**
- **This appliance is NOT for use with aftermarket glass doors.**
- **Wear gloves and safety glasses while installing or performing maintenance procedures on this appliance.**

5. Installation Requirements

Location

In selecting a location for the stove, consider the following points:

- 1) Heat distribution
- 2) Vent termination requirements
- 3) Gas supply line routing
- 4) Traffic areas, furniture, draperies, etc.

The GF 500 DV IPI may be located on or near conventional construction materials, however, proper clearance to combustibles must be maintained in order to provide adequate air circulation around the appliance. Also, it is important to provide adequate access around the stove for servicing and proper operation.

The clearance and hearth specifications listed in this manual are the minimum requirements for combustible material. A combustible material is anything that can burn (i.e. sheet rock, wall paper, wood, fabrics etc.). These surfaces are not limited to those that are visible and also include materials that may be located behind non-combustibles.

If you are not sure of the combustible nature of a material, consult your local fire officials. Remember, "Fire Resistant" materials are considered combustible: they are difficult to ignite, but will burn. Also, "fire-rated" sheet rock is considered combustible.

Floor Protection

This appliance CANNOT be installed directly on carpeting, vinyl, linoleum or wood laminate flooring, such as Pergo.

If this appliance will be installed on any combustible material OTHER THAN WOOD, a floor pad must be installed that is either metal, wood, ceramic tile, stone, or a listed hearth pad. This floor protection must extend the full width and depth of the appliance. It is not necessary to remove carpeting, vinyl or linoleum from underneath the floor protection. See fig. 5.1.

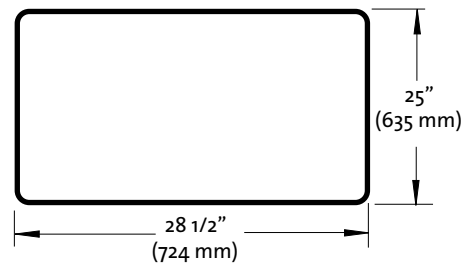


Figure 5.1. Minimum combustible floor protection.

Stove and Vent Clearance Requirements

The clearances specified and diagrammed here are established from the stove body. The safety barrier has no affect on clearances to combustible material.

Minimum Clearances from the Stove to Combustibles:

See figs. 5.2-5.6.

		Measured from:
Rear:	1 1/2" (38 mm)	Rear Shroud
Ceiling:	20.25" (514 mm)	Top Plate
Corner:	2" (51 mm)	Top Plate
Sides:	2" (51 mm)	Top Plate

Minimum Clearances between Vent Pipe and Combustible Materials:

Horizontal Run:

Off the top of the pipe	2" (51 mm)
Off the sides and bottom	1" (25 mm)

Vertical Run:

All sides	1" (25 mm)
-----------	------------

Alcove Installation

Maximum Alcove Depth:	24" (610 mm)
Minimum Alcove Width:	32 1/2" (826 mm)
Minimum Alcove Ceiling Height from floor:	50 1/4" (1270 mm)
with optional short legs:	48" (1219 mm)

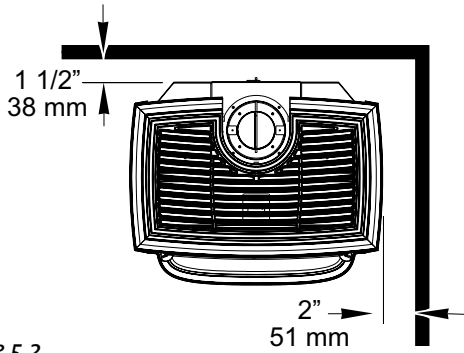


Figure 5.2.
Parallel Installation Clearances.

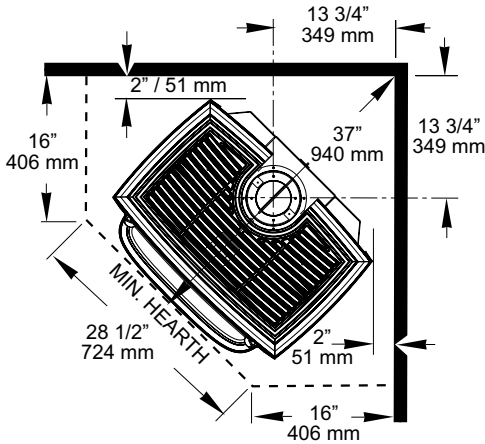


Figure 5.3.
Corner Installation clearances and minimum hearth pad.

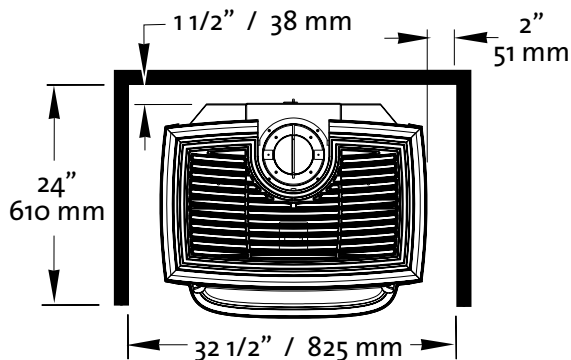
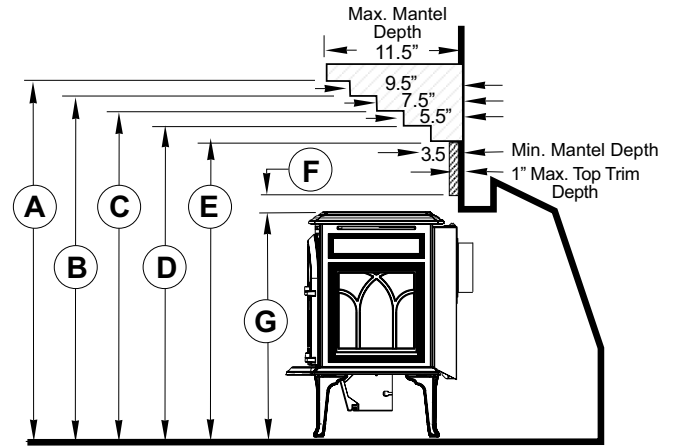
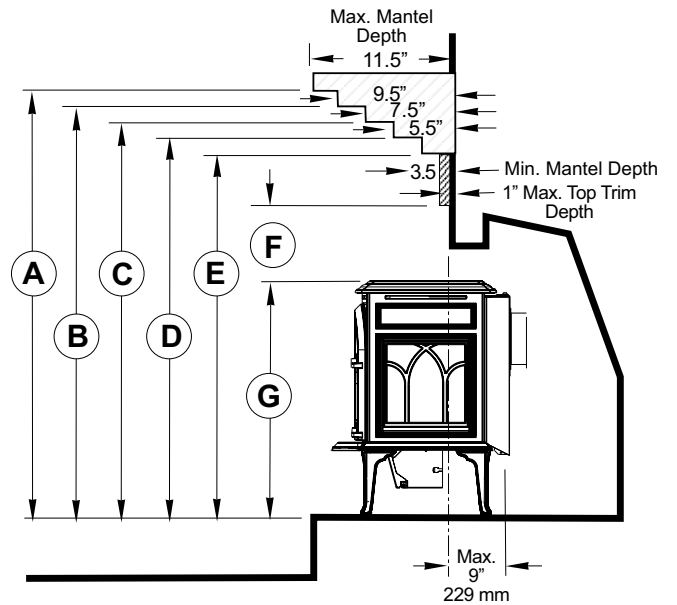


Figure 5.4.
Minimum Alcove Clearances.



- | | | | |
|---|----------------------|---|---------------------------------|
| A | 40 3/4 in. (1035 mm) | E | 34 3/4 in. (883 mm) |
| B | 39 1/4 in. (997 mm) | F | 3 1/4 in. (25 mm) |
| C | 37 3/4 in. (958 mm) | G | 30 in. (83 mm) |
| D | 36 1/4 in. (921 mm) | | Short Legs: 27 3/4 in. (705 mm) |

Figure 5.5.
Mantel Clearances - stove flush with fireplace face.



- | | | | |
|---|----------------------|---|---------------------------------|
| A | 54 1/2 in. (1384 mm) | E | 48 1/2 in. (1232 mm) |
| B | 53 in. (1346 mm) | F | 14 25 in. (362 mm) |
| C | 51 1/2 in. (1308 mm) | G | 30 in. (762 mm) |
| D | 50 in. (1270 mm) | | Short Legs: 27 3/4 in. (705 mm) |

Figure 5.6.
Mantel Clearances - stove recessed into fireplace, 9" max.

Venting Requirements

The Jøtul GF 500 DV IPI gas stove may be installed with a vertical or horizontal termination and must conform to the configuration requirements described below.

This appliance is approved for use with vent systems from the following manufacturers:

- M&G DuraVent (DirectVent Pro)
- American Metal Products (Amerivent)
- Security Chimneys International, Ltd. (Secure Vent)
- Selkirk Metalbestos (Direct Temp)
- Metal-Fab, Inc. (Sure-Seal Direct Vent)
- Industrial Chimney Corp. (ExcelDirect)
- Bernard Dalsin Mfg. (Pro Form)
- Olympia Chimney Supply, Inc. (Ventis Direct Vent)

Use parts of one manufacturer only - **DO NOT MIX VENT COMPONENTS FROM DIFFERENT MANUFACTURERS IN THE SAME SYSTEM.**

Installation of any components not manufactured or approved by Jøtul or failure to meet all clearance requirements will void all warranties and could result in property damage, bodily injury, or serious fire.

The approved vent configurations described in this manual are derived from extensive testing under controlled laboratory conditions. Gas appliance performance can be negatively affected by variables present in the installation environment, i.e.: atmospheric pressure, strong prevailing winds, adjacent structures and trees, snow accumulation, etc. These conditions should be taken into consideration by the installer and stove owner when planning the vent system design.

IMPORTANT

- **JOINT SEALING REQUIREMENT:** APPLY A 1/8" BEAD OF HIGH-TEMPERATURE SEALANT OR MIL-PAC® TO THE MALE SECTION OF THE INNER VENT PIPE. THE CEMENT SHOULD FORM A SEAL BETWEEN THE INNER AND OUTER PIPES.
- NEVER MODIFY ANY VENTING COMPONENT, OR USE ANY DAMAGED VENTING PRODUCT.
- THE GAS APPLIANCE AND VENT SYSTEM MUST BE VENTED DIRECTLY TO THE OUTSIDE OF THE BUILDING AND NEVER ATTACHED TO A CHIMNEY SERVING A SOLID FUEL OR GAS BURNING APPLIANCE. EACH DIRECT VENT GAS APPLIANCE MUST HAVE ITS OWN SEPARATE VENT SYSTEM. COMMON VENT SYSTEMS ARE PROHIBITED.
- IF VENTING SYSTEM IS DISASSEMBLED FOR ANY REASON, REINSTALL PER THE INSTRUCTIONS PROVIDED FOR THE INITIAL INSTALLATION.

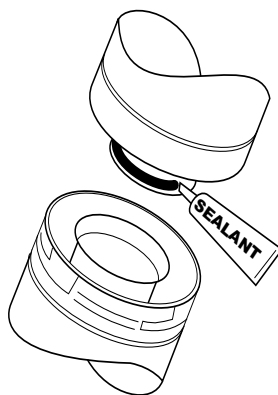


Figure 5.7.
DO NOT USE SILICONE SEALANT.

Vent Restriction

The GF 500 DV IPI is equipped with an Exhaust Restrictor Plate which enables you to regulate the flow of exhaust gas. The plate prevents overly strong draft that can cause poor combustion and weak flame picture. **Follow the guidelines below, and on the following pages, to determine the correct restrictor plate setting for your particular installation configuration.**

Exhaust Restrictor

The Exhaust Restrictor is an adjustable plate located within the firebox exhaust outlet. It is adjusted by rotating the dial at the back of the stove within a range from the factory-set, fully open position (no restriction) to a fully restricted position. See fig. 5.8. The Minus and Plus signs on the dial relate to degrees of restriction, from zero to approximately 70%. The three lettered positions correlate to the termination zones (A,B,C) diagrammed in figure 15. Use the diagram to determine the degree of restriction and shutter setting you should use.

Adjusting Exhaust Restrictor Plate:

1. Use the Vent Termination Matrix to determine which setting position to use.
2. Lift the Top Plate from the stove.
3. Locate the restrictor adjustment dial on the top of the exhaust outlet. Use a 1/4" nut driver to loosen the lock nut and pivot the dial to the position appropriate to your termination zone. See figs. 5.8 and 5.9.
4. Tighten the lock nut and replace the Top Plate.

Approved Horizontal and Vertical Vent Terminations

- **NOTE:** Long vertical vent runs (over 12 ft.) in uninsulated air space may require the stove be operated in CPI mode for best performance.
- **ALL VENTING MUST TERMINATE (END) WITHIN ONE OF THE DESIGNATED AREAS.**
- **SET STOVE EXHAUST RESTRICTOR TO THE POSITION THAT CORRESPONDS TO THE VENT TERMINATION AREA IN THE MATRIX. When termination is exactly on a division line, use the less restrictive position. For example, if termination is 10 feet high and offset 7 feet, restriction should be set at Position B.**
- **Up to four 45° or two 90° elbows are permitted in addition to the starter elbow, however, a 5 foot reduction in horizontal length must be made for each additional elbow whether 45° or 90°.**

The circled letter designations in the vent matrix in figure 5.9 correspond to the Exhaust Restrictor dial settings on the stove. First, determine which vent termination zone is appropriate for your installation, then adjust the restrictor to the corresponding position as shown in figure 5.8.

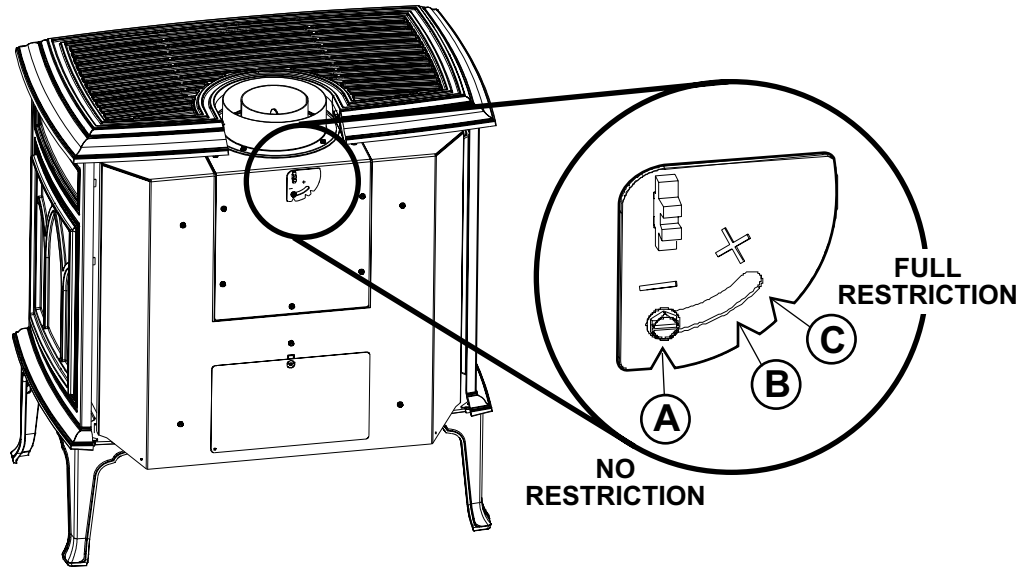


Figure 5.8. Use 1/4" socket driver to loosen the Exhaust Restrictor dial and adjust to the appropriate notch for your termination zone.

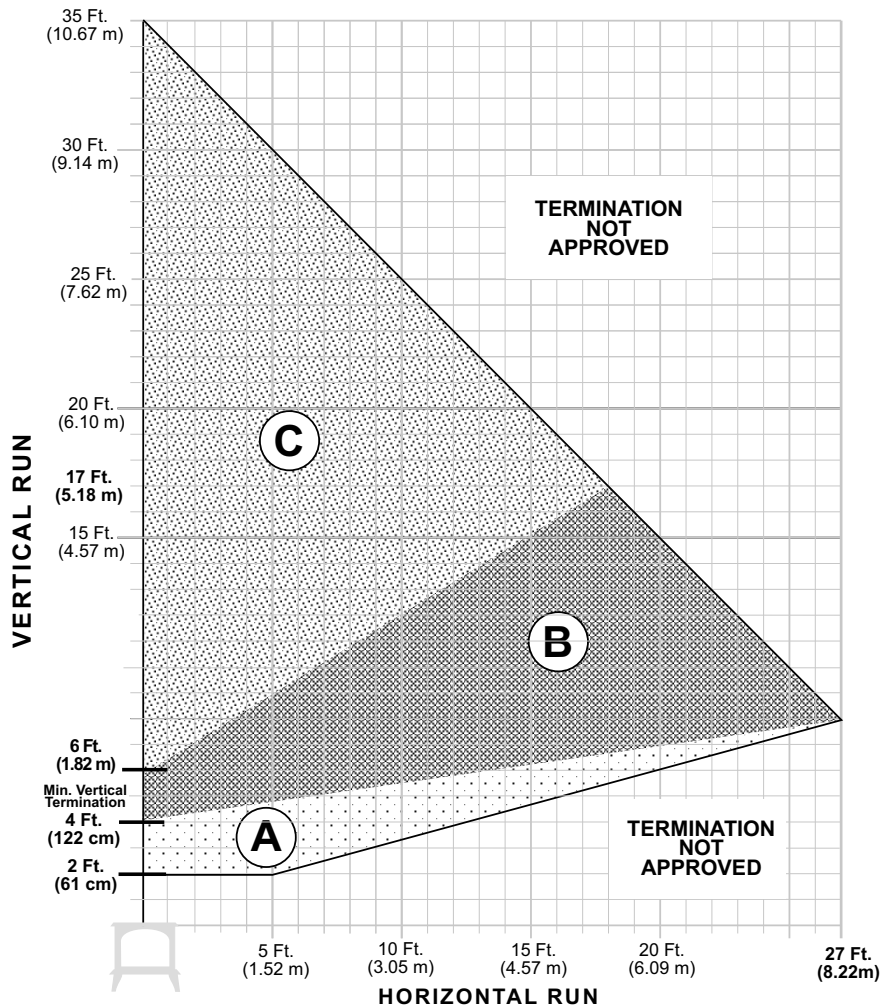


Figure 5.9. Vent Termination Zone Matrix - NG / LP

FUNCTIONALITY NOTE:

LONG, VERTICAL VENT CONFIGURATIONS MAY REQUIRE THE APPLIANCE BE OPERATED IN CONTINUOUS PILOT MODE (CPI) TO ASSURE ADEQUATE DRAFT AND PROPER PERFORMANCE.

Vertical Vent Termination

The Jøtul GF 500 DV IPI can be vertically vented through a ceiling or to a roof termination with the following guidelines:

- The termination should fall within the shaded areas of the grids depicted in the Vent Matrix, fig. 5.9, page 11.
- **Minimum termination is 4 ft. (1.22 m).**
- **Total run must not exceed 35 ft. (10.66 m).**
- **Vent Terminus Clearance:** In no case shall any discharge opening on the cap be less than 18 in. (457 mm) horizontally from the roof surface. See fig. 5.10.
- Steep roofs, nearby trees, and predominantly windy conditions can contribute to poor draft and/or promote draft reversal. Increasing the height of the vent may alleviate these conditions.
- Use Wall Straps to support an offset pipe run at intervals of three feet to avoid excessive stress on the offsets.
- A firestop is required at every floor. The floor opening should be framed to 10" X 10" inside dimension.
- Any venting that is exposed in living space above the first floor must be enclosed. Always maintain the required 1" clearance from all sides of the vertical vent system. Insulation in attic space must be retained by an insulation barrier.

Snorkel Termination

This appliance is approved only for 36 inch Snorkel termination. **Not approved for use with a 14 inch Snorkel.**

- The minimum horizontal run may be no less than 6" (152 mm).
- The maximum horizontal run may be no more than 24 in. (610 mm.)
- One 45° Elbow may be used for a corner installation as shown in fig. 5.16.
- **Exhaust Restriction:** Under normal circumstances, no exhaust restriction is recommended. Keep the factory setting (Position A - fully open).
- **Insulation Requirement:** Apply a minimum 1/2" thick foil-faced ceramic insulation blanket behind the Snorkel before attaching it to the wall (Jøtul PN 225606 is available).

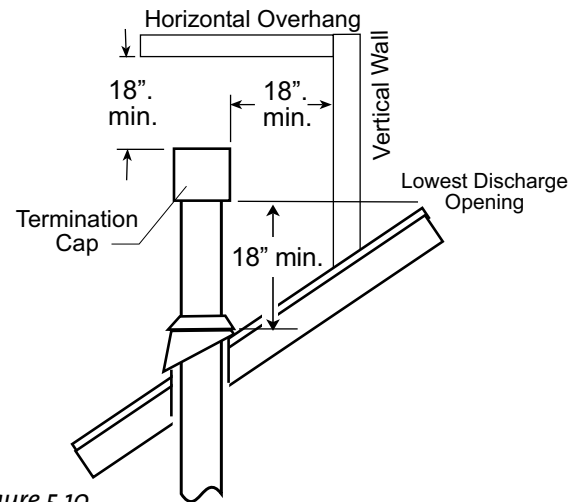


Figure 5.10.
Vertical vent termination height above roof.

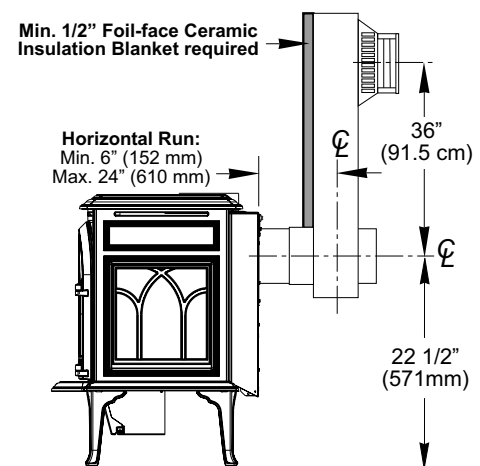


Figure 5.15.
Maximum horizontal and vertical vent run 36" Snorkel termination.

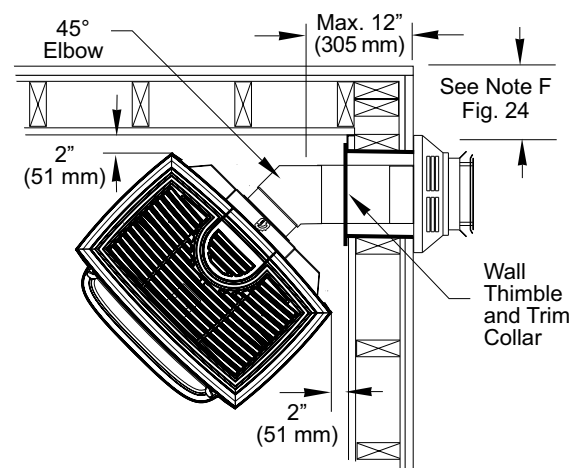


Figure 5.16.
Corner installation with 36" Snorkel termination.
Maximum horizontal run is 12".

Co-linear Vent Installation

The GF 500 DV IPI may be vented through a masonry or Class A prefabricated chimney using a Co-linear Flexible Vent system approved for use with a solid-fuel burning fireplace. When installed in the manner described below, this system can improve the performance of the appliance in cold climate situations, as well as simplify the vent installation. See fig. 5.11.

Consult with the local code authority having jurisdiction before proceeding with this type of installation.

Refer to the vent manufacturer's instructions for specific installation procedures.

Follow these installation requirements:

- The chimney flue must be thoroughly cleaned and inspected by a qualified chimney service person.
- In a masonry chimney, a fireclay liner must be present the entire length of the chimney.
- Prefabricated chimneys must be UL 103 or ULC S-629 listed and have a minimum INSIDE diameter of 6 inches, (150 mm).
- No appliance may be installed into a chimney flue serving another appliance of any kind.
- **THE AIR INTAKE FLEX PIPE MUST EXTEND 6 FEET BEYOND THE DAMPER AREA OF THE FIREPLACE.**
- If the intake flex duct does not extend the full length of the chimney and connect to both the unit and the termination cap, A METAL BLOCK OFF PLATE MUST BE CONSTRUCTED AND INSTALLED ABOVE THE UNIT PRIOR TO THE END OF THE INTAKE FLEX AND MUST COMPLETELY SEAL THE CHIMNEY FLUE FROM THE ROOM.

If there is enough vent length and room in the flue, adding a return loop in the air intake run will help prevent draft reversals that can cause cold start problems.

WARNING: FAILURE TO POSITION THE PARTS AND STOVE IN ACCORDANCE WITH THESE DIAGRAMS OR FAILURE TO USE ONLY PARTS SPECIFICALLY APPROVED FOR USE WITH THIS APPLIANCE MAY RESULT IN PROPERTY DAMAGE OR PERSONAL INJURY. BE SURE TO MAINTAIN THE CLEARANCES TO COMBUSTIBLES SPECIFIED IN THIS MANUAL AND IN THE INSTRUCTIONS PROVIDED WITH EACH VENT COMPONENT.

Figure 5.11.
M&G DuraVent
#923GCL
Co-linear
Adaptor.

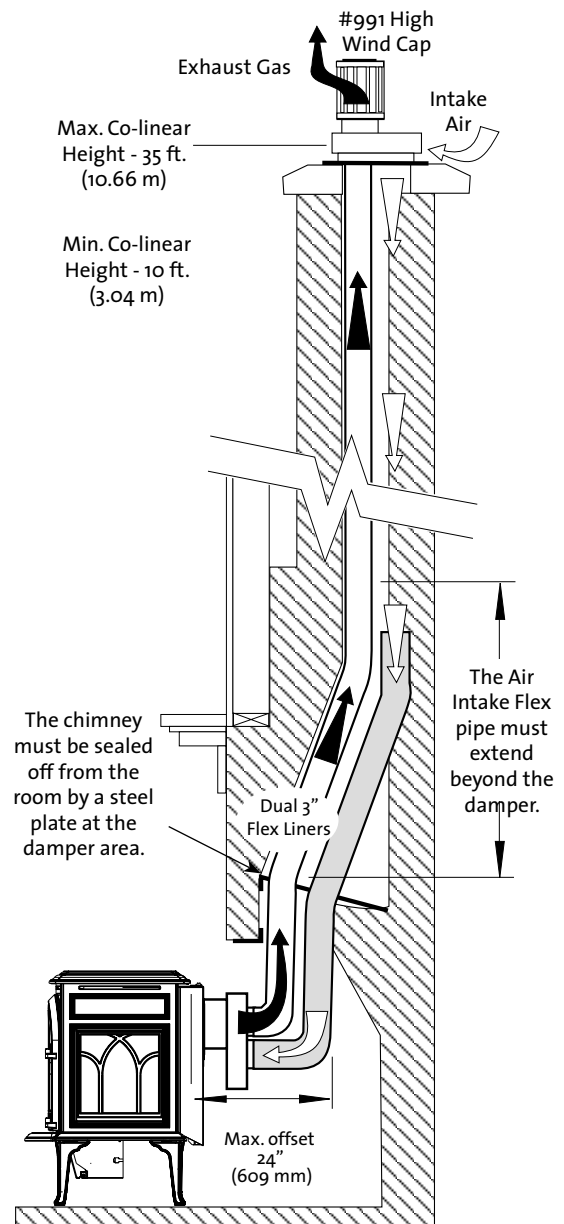
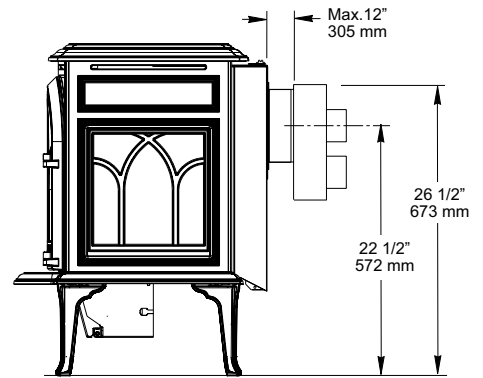


Figure 5.12. Co-linear Adaptor installed through a masonry chimney. M&G DuraVent components shown.

Horizontal Termination

- Any horizontal termination must fall within the shaded portion of the vent window matrix shown in fig. 5.9, pg. 11.
 - **Horizontal termination requirements:**
 - 1) If no vertical run, the minimum horizontal run is 6 in. into a 36" Snorkel.
 - 2) If no vertical run, the maximum horizontal run is 24 in. into a 36" Snorkel.
 - 3) Maximum vertical run is 35 ft.
 - 4) With any vertical run, the maximum horizontal run is 27 ft.
 - Up to four 45° or two 90° elbows may be used in addition to the starter elbow. **The horizontal run must be reduced by 5 feet for each additional elbow, whether 45° or 90°.**
 - The horizontal termination cap must maintain a 3" clearance to any overhead combustible projections 2 1/2" or less. It must also maintain 12" clearance from projections exceeding 2 1/2". See fig. 5.18, pg. 16.
 - **Wall Cut-out Opening:** A minimum 10" X 10" (250 mm x 250 mm) square hole is required for proper pipe clearances through a combustible wall.
- DO NOT FILL AIR SPACE WITH ANY TYPE OF INSULATION.**
- **Any horizontal run of vent must be level or have a 1/4 in. rise for every foot of run toward the termination cap. NEVER ALLOW THE VENTING TO RUN DOWNWARD FROM STOVE TO TERMINATION; A DOWNWARD VENT RUN TRAPS HEAT AND CREATES A FIRE HAZARD.**
 - Install a Vinyl Siding Standoff (Simpson Dura-Vent #950) between the vent termination and an exterior wall covered by vinyl siding material to prevent potential heat damage to the siding.
 - A direct vent terminal may not be recessed into a wall or siding.

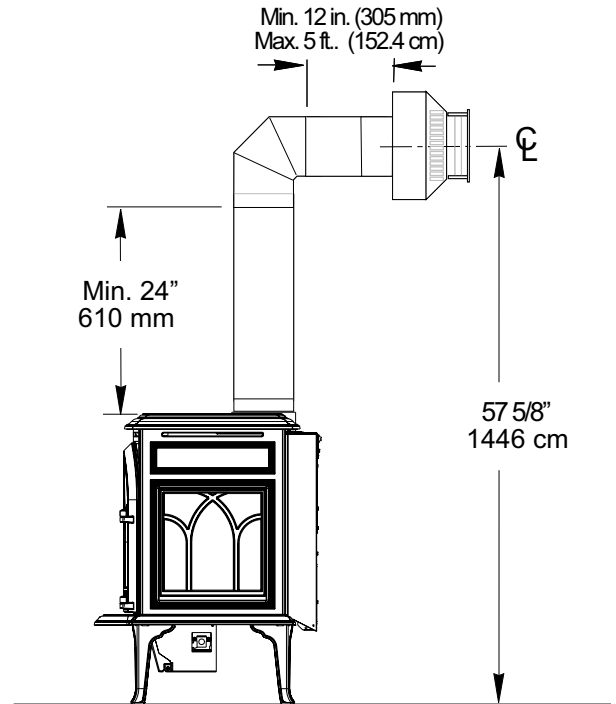


Figure 5.14. Minimum vent required for horizontal termination.

Horizontal Termination Clearance

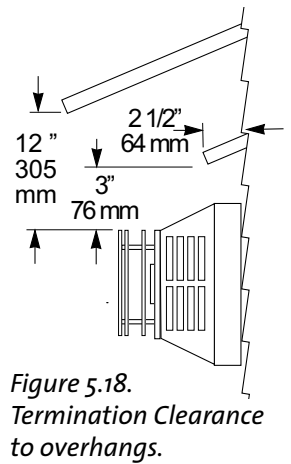
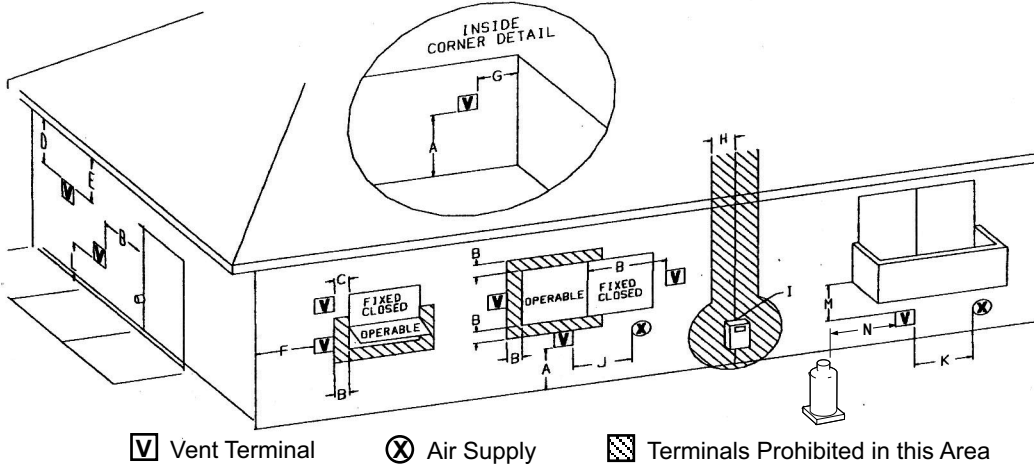


Figure 5.18. Termination Clearance to overhangs.

Figure 5.17. Vent Terminal Clearances, Canada and United States

		Canadian Installations ¹	U.S. Installations ²
A	Clearance above grade, veranda, porch, deck, or balcony	12 in. (30 cm)	12 in. (30 cm)
B	Clearance to window or door that may be opened	12 in. (30 cm)	9 in. (23 cm) We recommend 12 in. to prevent condensation on a window.
C	Clearance to permanently closed window	12 in. (30 cm)	9 in. (23 cm) We recommend 12 in. to prevent condensation on a window.
D	Vertical clearance to ventilated soffit located above the terminal within a horizontal distance of 2 ft (60 cm) from the center line of the terminal	18 in. (46 cm)	18 in. (46 cm)
E	Clearance to unventilated soffit	12 in., (46 cm)	12 in., (46 cm)
F	Clearance to outside corner	12 in., (46 cm)	9 in. (23 cm) We strongly recommend 12 in. particularly where strong winds prevail.
G	Clearance to inside corner	12 in., (46 cm)	9 in. (23 cm) We strongly recommend 12 in. particularly where strong winds prevail.
H	Clearance to each side of center line extended above a gas meter or regulator	3 ft. (91 cm) within a height 15 ft. above the meter/regulator assembly	*
I	Clearance to service regulator vent outlet	3 ft. (91 cm)	*
J	Clearance to nonmechanical air supply inlet to building or the combustion air inlet to any other appliance	12 in. (30 cm)	9 in. (23 cm)
K	Clearance to a mechanical air supply inlet	6 ft. (1.83 m)	3 ft. (91 cm) above if within 10 ft. (3 m) horizontally
L	Clearance above paved sidewalk or paved driveway located on public property	7 ft. (2.13 m)	*
M	Clearance under veranda, porch, deck, or balcony	12 in. (30 cm) ³	12 in. (30 cm) ⁴
N	Clearance to propane tank relief valve and filler connection	5 ft. (1.52 m) ⁴ / 10 ft. (3.05 m) ⁵	5 ft. (1.52 m) ⁶ / 10 ft. (3.05 m) ⁷

1) In accordance with the current CSA B149.1, Natural Gas and Propane Installation Code.

2) In accordance with ANSI Z223.1/NFPA 54, National Fuel Gas Code

* For clearances not specified in ANSI Z223.1/NFPA 54 or CSA B149.1, the clearance will be in accordance with local installation codes and the requirements of the gas supplier.

3) Permitted only if veranda, porch, deck, or balcony is fully open on a minimum of two sides beneath the floor.

4) Minimum clearance to tanks not filled on site.

5) Minimum clearance to tanks filled on site from bulk truck.

6. Fuel Conversion

The GF 500 DV IPI gas stove is shipped from the factory equipped to burn NATURAL GAS only. If PROPANE gas is to be used as fuel, the appliance must first be converted by using Propane Conversion Kit 157693 included with the stove. Use Natural Gas Conversion Kit 157694 to change back for use with natural gas.

PILOT NOTE: Determine if the appliance uses a Single-fuel or a Dual-fuel pilot assembly and follow the instructions specific for each type where noted. See figures 6.4 and 6.5 respective.

WARNING:

THE CONVERSION KIT IS TO BE INSTALLED BY AN AUTHORIZED SERVICE TECHNICIAN IN ACCORDANCE WITH THE MANUFACTURER'S INSTRUCTION AND ALL CODES AND REQUIREMENTS OF THE AUTHORITY HAVING JURISDICTION. FAILURE TO FOLLOW THESE INSTRUCTIONS COULD RESULT IN SERIOUS INJURY OR PROPERTY DAMAGE. THE QUALIFIED AGENCY PERFORMING THIS WORK ASSUMES RESPONSIBILITY FOR THIS CONVERSION.

IN CANADA:

THE CONVERSION SHALL BE CARRIED OUT IN ACCORDANCE WITH THE REQUIREMENTS OF THE PROVINCIAL AUTHORITIES HAVING JURISDICTION AND IN ACCORDANCE WITH THE REQUIREMENTS OF THE CAN1-B149.1 AND .2 INSTALLATION CODE.

Tools required:

- Torx T20 or slotted screwdriver
- 10 mm or 7/16" open end wrench
- 1/2" open ended wrench or deep-well socket

Conversion Kit Contents:

- 1, Regulator Tower labeled for either LP or NG
- 2, Regulator Tower screws
- 2, Burner Orifices: Fuel Type x 2
 - Propane - Left/Rear, 1.40 mm
 - Right/Front, 1.20 mm
 - Natural Gas - Left/Rear, 2.25 mm
 - Right/Front, #47
- 1, Pilot Orifice: NG KIT - BL.20 LP KIT - .013
USED FOR SINGLE-FUEL PILOT ONLY
- Label A - to be completed and applied to the back of the stove.
- Label B - apply to the stove's Rating Plate
- Small valve label - apply to valve body
- Conversion instructions

Fuel Conversion Procedure

1. Turn off gas supply to stove.
2. Remove the stove Top Plate and Top Convection Shroud as in Fig. 2.2, page 5.
3. Disengage the two Glass Frame Latches and lift the glass panel frame up and out of the stove. Remove the log set, if installed.
4. Remove both air shutter wing nuts, washers, and gaskets from the studs underneath the firebox. See fig. 6.1.
5. Lift the Brick Panel Support Shelves from the firebox floor to access and remove two #8x 1/2" sheet metal screws that secure the two Burner Brackets to the floor. See fig. 6.2.
6. Grasp the burner at the sides and pull the assembly forward and up to disengage it from the burner injectors. Tilt the assembly to fit through the door opening, being carefull to avoid contact with enamel surfaces. See fig 6.2.

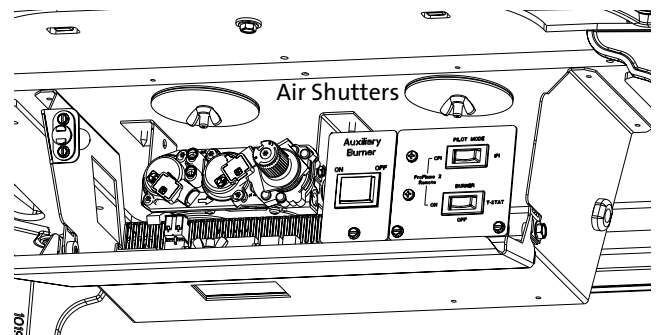


Figure 6.1. Air Shutter wing nuts are accessed from within the control compartment.

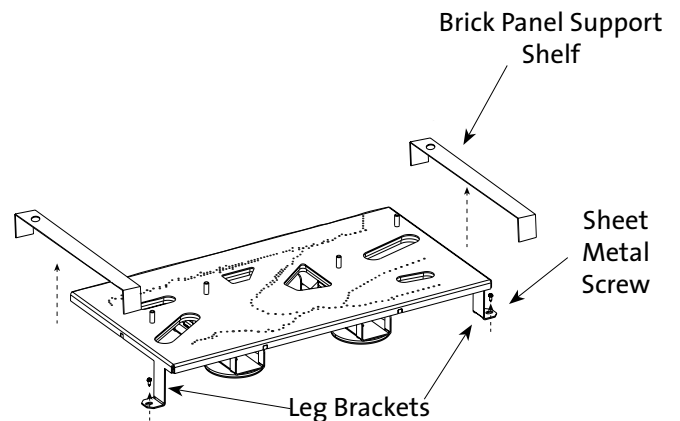


Figure 6.2. Remove the Leg Bracket screws. Pull the Burner assembly forward and up to disengage it from firebox.

6.4. CHANGE THE INTEGRATED DUAL-FUEL PILOT ORIFICE:

Use a 1/4" socket driver to loosen two screws and lift the pilot shield out of way to access the pilot head base. See fig. 6.3.

Use the 7/16" wrench to just loosen the pilot head base enough to push in the orifice conversion slide. See fig 6.4.

LP : push tab to the left to expose the red dot.

NG: push tab to fully to the right

Replace the pilot base nut and tighten to orient the head to project flame over the flame sensor and burner carry-over ports.

6.5. CHANGE THE SINGLE-FUEL PILOT ORIFICE: Fig. 6.5.

Remove the pilot head and original injector from the pilot base. Install the injector from this kit with the flared end down. Secure the base ensuring the head is oriented to project flame to the flame sensor and burner ports.

Use vice-grips or pliers to hold and keep the pilot bracket properly aligned.

Replace the pilot base nut and tighten to orient the head to project flame over the flame sensor and burner carry-over ports.

6.6. Change the Burner Injectors. See fig. 6.6. Using a 1/2" open end wrench or deep-well socket remove both burner injectors from the brass elbow housings and replace with the appropriate injectors supplied in the kit. **Injectors are labelled: "L" = Left / "R" = Right.****6.7. Baffle Conversion - Propane only:** Remove two, 6 mm nuts to detach the baffle assembly from the firebox. See figs. 6.7 - 6.8.

- Detach the Secondary Baffle with removal of two sheet metal screws shown in fig. 6.9. Replace the screws and retain the Secondary Baffle for potential future use.

- Reinstall the modified baffle assembly into the firebox using the nuts previously removed. Tighten securely.

6.8. Reinstall the Burner to the Stove

Carefully replace the burner and slowly lower the air shutters onto the bottom of the firebox engaging the shutter stems with the slots in the firebox floor. Position the burner fully forward to align the burner leg brackets with the screw holes. Secure the burner using the two, #8x1/2" screws that were previously removed. Replace the Ceramic Overlays. Replace the brick panel support shelves at each side. Reinstall air shutter gasket, washers and wing nuts.

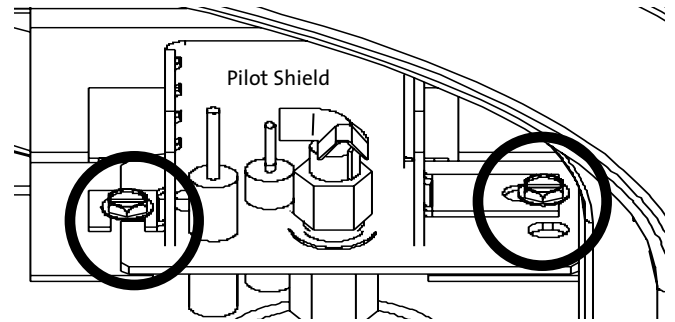
6.9. Replace the Valve Regulator. Using a Torx T-20 screwdriver, remove the screws from the front of the regulator. Remove the regulator components and replace with the one from the conversion kit. See fig. 41.

Figure 6.3. Use a 1/4" socket driver to loosen two screws to remove the Pilot Shield and access the pilot base.

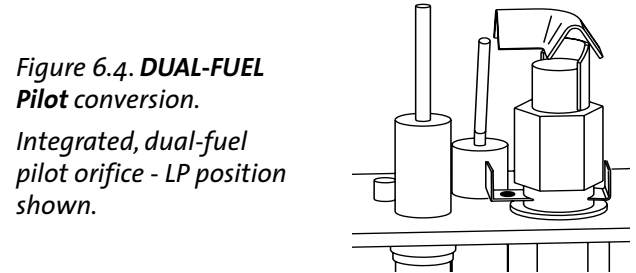


Figure 6.4. **DUAL-FUEL Pilot conversion.**

Integrated, dual-fuel pilot orifice - LP position shown.

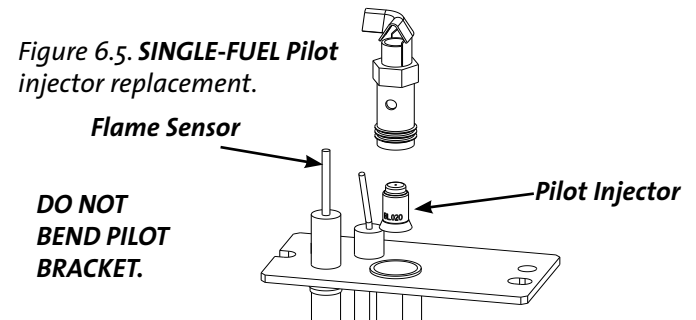
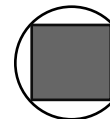


Figure 6.5. **SINGLE-FUEL Pilot injector replacement.**

Flame Sensor

DO NOT BEND PILOT BRACKET.

Pilot Injector



NOTE: NG Pilot orifice has a blocker square inside the orifice, shown on the left.

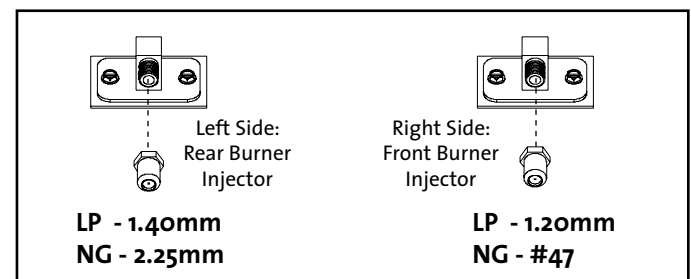


Figure 6.6.

Change the burner injector orifices.

6.10. Install the identification labels to the stove so that they can be seen by any person who may be servicing the stove. Label A: apply to back of stove
Label B: apply to the rating plate attached to the back of the stove.
Small Conversion Label: apply to valve.

6.11. Reassemble the stove, apply gas to the system and check for leaks using a soapy water solution or digital gas detector.

NEVER USE AN OPEN FLAME TO CHECK FOR GAS LEAKS.

6.12. Correct gas pressure is essential for efficient and safe operation of this appliance. Use a manometer to check pressures as specified in the Gas Pressure section of this manual (page 20).

6.13. Adjust the Air Shutters. Fig. 6.10

Replace the air shutter wingnuts and pull each air shutter back to the fully OPEN position, then adjust the inlet opening for the appropriate fuel: You will need to position the shutters to provide a gas/air mixture that will achieve the best flame picture with your particular installation.

Pushing the stems back will restrict air, while pulling them forward (toward you) will open the shutter and increase air. With some experimentation, you will find the shutter position that works best for your installation. Start at the following positions for the appropriate fuel:

- Propane - 1/8" (3 mm) open
- Natural gas - 1/16" (1.5 mm) open

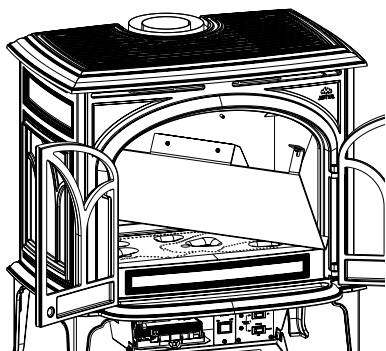


Figure 6.8. Pull the baffle plate down slightly, then swing the end forward to remove it from the firebox..

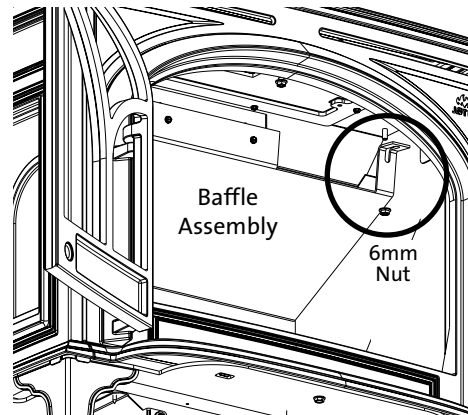


Figure 6.7. Baffle Assembly location. Remove two 6 mm nuts to detach it from the firebox.

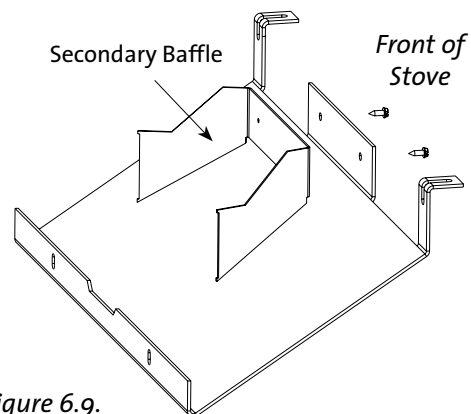
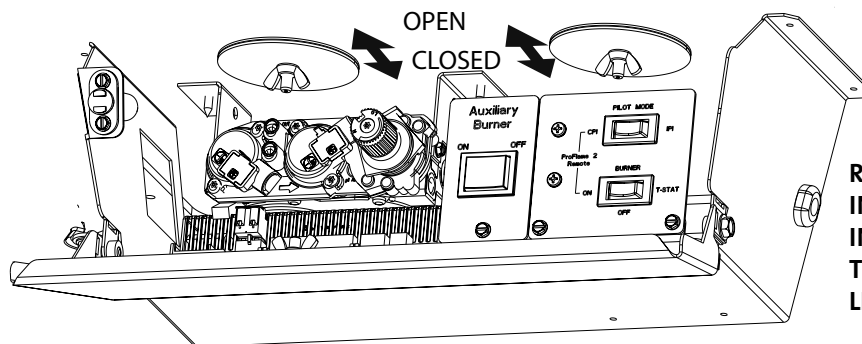


Figure 6.9. LP ONLY: Remove the Secondary Baffle.



REFER TO THE LIGHTING INSTRUCTIONS ON THE INSIDE BACK COVER OF THIS MANUAL WHEN LIGHTING THE STOVE.

Figure 6.10. Pull the shutter forward to increase primary air. Push back to restrict air.

7. Gas Supply Connection

NOTE: If appropriate, install the optional forced air blower before connecting the gas line, to prevent clearance interference between the two.

The gas supply line connection is made to the left side of the valve. The gas supply line should be 3/8" npt with a 1/2" diameter supply, or the appropriate size to provide sufficient gas pressure to the valve regardless of the input setting.

The use of Flexible Gas Appliance Connectors is acceptable in many areas in the U.S. However, Canadian methods vary depending on local code.

ALL INSTALLATIONS MUST COMPLY WITH LOCAL CODE OR IN THE ABSENCE OF LOCAL CODE, MUST COMPLY WITH THE MOST RECENT EDITION OF THE NATIONAL FUEL GAS CODE ANSI Z223.1/NFPA 54 OR CAN-B149.

All codes require a gas shut-off valve (gas cock) and union, to be installed in the supply line, and in the same room as the appliance. This allows for the disconnection of the stove for servicing and maintenance. See fig. 7.1.

Secure all joints tightly using appropriate tools and sealing compounds. For propane units be sure to use compounds that are propane resistant. Turn on gas supply and test for gas leaks using a soapy water solution or digital gas detector. Never use an open flame to check for leaks.

A T-HANDLE GAS COCK IS REQUIRED IN MASSACHUSETTS TO COMPLY WITH CODE 248CMR.

Soap Solution Leak Test



WARNING!

USE A SMALL BRUSH TO APPLY LEAK SOLUTIONS. AVOID CONTACT WITH ELECTRICAL CONNECTIONS. USE OF A SPRAY BOTTLE MAY DAMAGE SENSITIVE ELECTRONIC COMPONENTS. NEVER USE AN OPEN FLAME TO CHECK FOR GAS LEAKS.

1. Mix a 50-50 solution of water and dish soap.
2. Light appliance; See lighting instructions on the inside back cover of this manual or on the stove's rating plate.
3. Brush all joints and connections with the soapy water solution. If bubbles appear at any connection or seam or a gas odor is detected, immediately turn gas control knob to the OFF position.
4. Tighten or reconnect the leaking joint and retest.

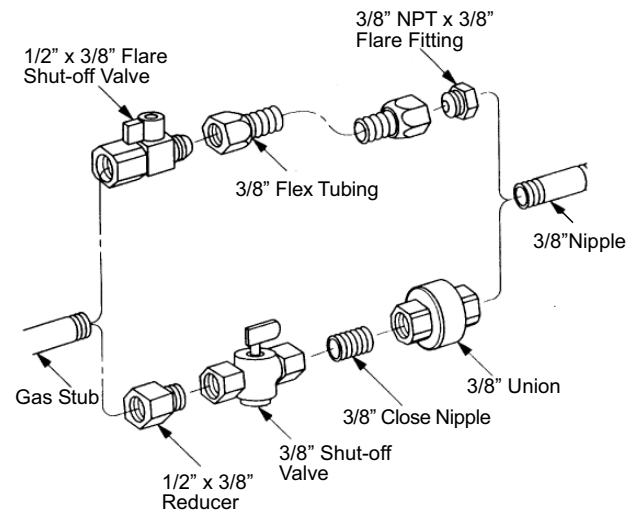


Figure 7.1. Supply valve connection fittings.

8. Gas Pressure

Correct gas pressure is essential for efficient and safe operation of the GF 500 DV IPI gas stove. It is important that the correct pressure is established at the time of the installation. Proper gas pressure provides a consistent flow of gas to the appliance and is instrumental in checking for gas leaks.

Pressure Test: Attach a manometer to the appropriate test point on the valve. See fig. 8.1. The gauge connections are located on the front of the valve. Connections are identified by:

A - for Manifold Pressure (the amount of gas that is coming out of the valve to the burner.)

B - for Inlet or Supply Pressure (the amount of gas coming to the valve.)

ALWAYS TEST PRESSURES WITH VALVE CONTROL KNOB SET ON HIGH.

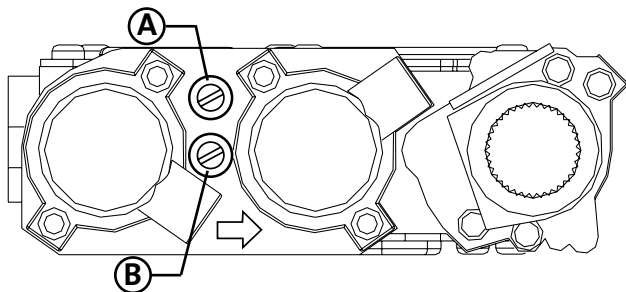


Figure 8.1. Pressure test points.

INLET GAS PRESSURES (inches water column)

	MIN	MAX
NATURAL GAS	5.0	7.0
PROPANE	12.0	14.0

The appliance and its appliance main gas valve must be disconnected from the gas supply piping system during any pressure testing on that system at test pressures in excess of 1/2 psig (3.5 kPa).

The appliance must be isolated from the gas supply line by closing its individual manual gas shut-off valve (gas cock) during any pressure testing of the gas supply piping system that is equal to or less than 1/2 psig (3.5 kPa).

MANIFOLD PRESSURES (inches water column)

	MIN	MAX
NATURAL GAS	1.1	3.8
PROPANE	2.9	11.0

9. High Altitude Adjustment

The decreased atmospheric pressure of higher altitudes affects heat value of gaseous fuels. Most gas suppliers derate the gas intended for use at elevations above 2000 feet. Check with your gas supplier before performing derate adjustment to the burner. If the gas supplier does not derate fuels, install High Altitude Adjustment Kit 157695 for Propane and Kit 157696 for Natural gas.

U.S. & Canada per

ANSI Z21.88-2009 • CSA 2.33-2009, CAN/CGA 2.17

Orifice Sizes for 610-1370 meters (2000-4500 ft.):

Natural Gas: Right/Front - #48 Left / Rear - #44

Propane: Right/Front - 1.15 mm Left / Rear - 1.35 mm

See data on the stove rating plate for additional information. At higher altitudes, consult the local gas distributor or the authority having jurisdiction for proper rating methods. If the installer must convert the unit to adjust for varying altitudes, the information label must be filled out and applied to the appliance at the time of the conversion.

Cet appareil est équipé pour gaz naturel des altitudes comprises entre 0 et 4500 pieds (0-1372 m) seulement.

Derating Procedure

- Follow the steps for Burner Injector replacement in the Fuel Conversion procedure on pages 16-17. Use the injectors supplied with the adjustment kit. Detailed instructions are also included in the kit.
- Conduct gas leak and gas pressure tests as detailed the preceding section of this manual.
- Conduct system check and flame picture adjustments as specified on pages 26-26.

INSTALLER: Fill out the appropriate information and apply the high altitude conversion label provided to the rating plate on the appliance. See fig. 9.1.

This appliance has been converted for use at an altitude of _____.	
Orifice Size: _____	Manifold Press. _____
Input Btu/Hr. _____	Fuel Type _____
Date: ___/___/___	Converted by: _____
Cet appareil a été converti au _____ Injecteur _____	
Pression à la tubulure d'alimentation _____	
Débit calorifique _____	

Figure 9.1. High Altitude Conversion Label.

Accessories

10. Optional Wall Thermostat

#750003

Use only a 750 millivolt DC two-wire circuit wall thermostat with this appliance. The thermostat should be placed in the same room as the heater, typically 5 feet off the floor. Avoid drafty areas or any area that may affect the accuracy of the thermostat.

The thermostat should be connected to the terminal block using a minimum of 16 gauge wire with a maximum length of 25 feet of wire.

Connect the two thermostat wire leads to the terminals on the block located to the left of the valve. Do not overtighten the connections. IT IS NOT NECESSARY TO DISCONNECT ANY OTHER WIRES. See Fig. 10.1.

For thermostatic operation, set the On/Off/T-Stat switch to the T-Stat position. Set the pilot mode to either IPI or CPI.

At the thermostat, the two wires should be connected to the two connection screws on the thermostat base plate per the manufacturer's instructions.

CAUTION:

LABEL ALL WIRES PRIOR TO DISCONNECTION WHEN SERVICING THE CONTROLS. WIRING ERRORS CAN CAUSE IMPROPER OR DANGEROUS OPERATION. ALWAYS VERIFY PROPER OPERATION AFTER SERVICING THE APPLIANCE.

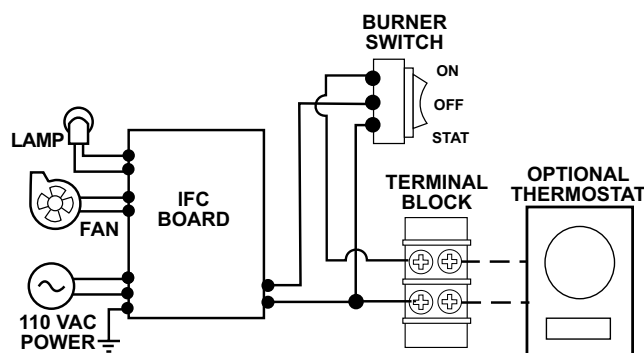


Figure 10.1. Accessory wiring diagram.

11. Optional Double-sided Brick Panel Kit #157697

1. Locate the retainer tabs in the upper corner of each side of the firebox. Bend each retainer tab out enough to engage the side brick panels. See fig. 11.1.
2. Install the Lower Panel, (the smaller of the two rectangular panels.) Position it up against the back wall, resting on the rear shelf.
3. Set the Upper Panel on the Lower Panel. Hold those panels in place while setting one Side Panel on the shelf beside the burner and under its retainer tab. Bend the retainer down to fully engage the side panel.
4. Engage the opposite matching Side Panel under its retainer tab and seat it against the wall. Bend that retainer tab down to secure the panel in place.

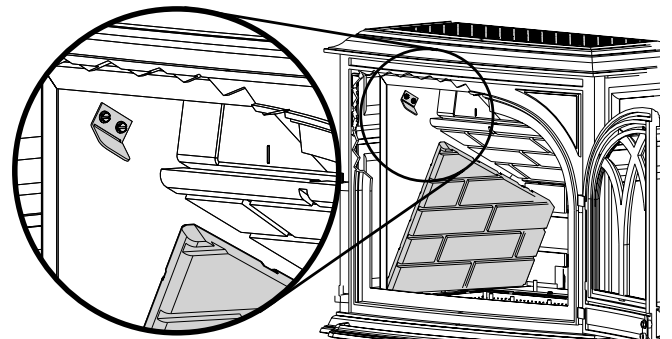
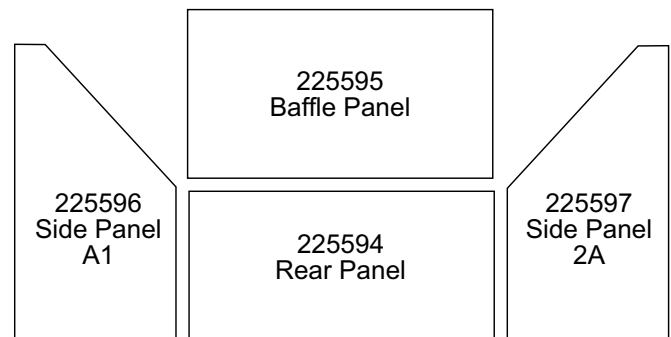


Figure 11.1. Install the Brick Panels.

12. Premium Upgrade Kits

#157498 - NG

#157499 - LP

Kit Contents:

- Flame Control (LP or NG)
- Accent Lamp Kit
- Blower Kit with Multifunction Remote

READ THESE INSTRUCTIONS BEFORE BEGINNING INSTALLATION. INSTALL EACH COMPONENT IN THE ORDER PRESENTED HERE.

SEE PAGES 29-32 FOR REMOTE CONTROL OPERATION.

WARNING:

DISCONNECT THE POWER SUPPLY AND TURN OFF THE MAIN GAS SUPPLY TO THE STOVE BEFORE INSTALLING REMOTE CONTROLLED ACCESSORIES.

Flame Control Installation

1. Using a Torx T-20 screwdriver, remove the two screws from the front of the manual regulator and remove those components as shown in fig. 12.1.
2. Confirm the appropriate fuel type by the label on the Flame Control motor. Install the motor using the new screws included with the kit.
3. Connect the wire harness to terminal (M) on the front side of the IFC board, fig. 12.1.
4. If appropriate, follow the instructions for fuel conversion beginning on page 16.

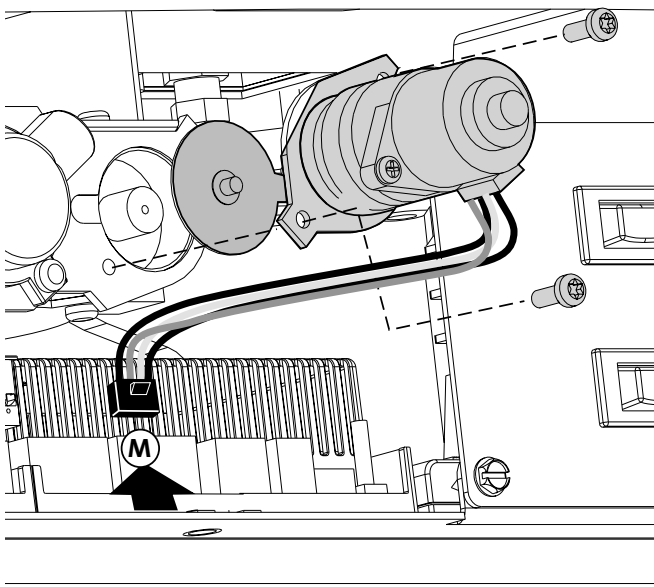


Figure 12.1. Flame Control Motor installation.

Accent Lamp

Contents:

1. Lamp Box Assembly w/ harness
2. Lens
3. Gasket
4. Light Deflector Plate - not used with GF 500 DV IPI

Tools Required:

- 10 mm wrench
- Safety goggles
- Work gloves

1. Remove the stove top plate and Top Convection Shroud.
2. Remove the two flanged hex head bolts (A) and cover plate from the Relief Panel using a 10 mm socket or wrench. See fig. .
3. Position the Gasket, Lens, and Lamp Box over the opening on the Relief Panel using the two bolts (A) previously removed.
4. Route the controls wire harness over and down between the back of the firebox and the rear shroud. **USE CARE TO AVOID CRIMPING THE WIRE HARNESS BETWEEN THE FIREBOX AND THE TOP CONVECTION SHROUD.** Connect the harness to the (L) terminal on the rear of IFC board. See figs. 12.2 - 12.3. *Loosen the IFC board wing nut and pull the board back to improve access to the terminal.*

See Remote Control operation instructions on pages 29-32.

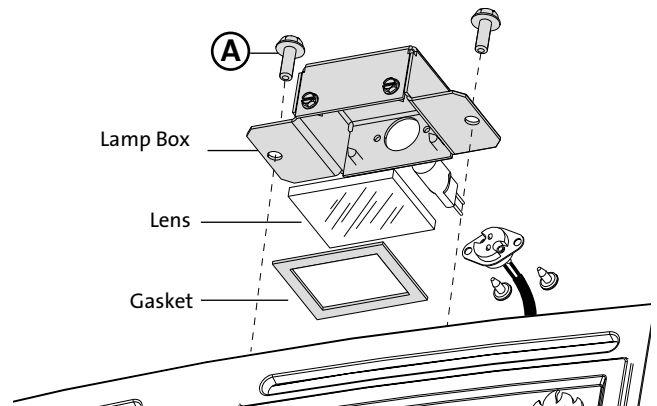


Figure 12.2. Accent Lamp installation.

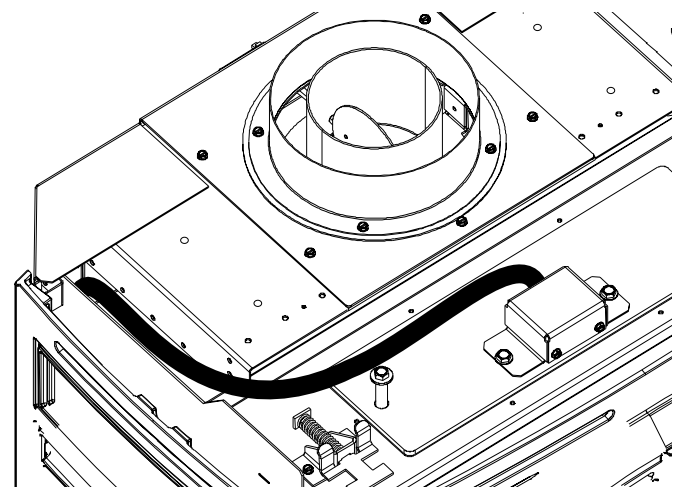


Figure 12.3. Accent Lamp Harness routing.

Optional Variable Speed Blower

KIT 157470

- THIS BLOWER MUST BE ELECTRICALLY GROUNDED IN ACCORDANCE WITH LOCAL CODES OR, IN THE ABSENCE OF LOCAL CODES, WITH THE CURRENT ANSI/NFPA 70, NATIONAL ELECTRICAL CODE OR CSA C22.1- CANADIAN ELECTRICAL CODE.
- THIS UNIT IS SUPPLIED WITH A THREE-PRONG (GROUNDING) PLUG FOR PROTECTION AGAINST SHOCK HAZARD AND SHOULD BE PLUGGED DIRECTLY INTO A PROPERLY GROUNDED THREE-PRONG RECEPTACLE. DO NOT CUT OR REMOVE THE GROUNDING PRONG FROM THE PLUG.
- ALWAYS DISCONNECT THE POWER SUPPLY WHEN PERFORMING ANY SERVICE ON THE APPLIANCE.

1. Disconnect the power supply from the stove.
2. Orient the Blower Bracket (fig. 12.4 #2) as shown and securely attach it to the stove using the two pre-installed flange nuts already on the studs on the stove bottom. (#4).
3. Remove the Air Deflectors from the blower housing and install the Blower (#1) with the duct openings oriented up and to the rear. Secure the blower to the bracket with the wing screw (#5).
4. Connect the Blower wire harness to terminal (B) on the IFC board as shown in fig. 12.4. Use the wire tie provided to take up any extra slack in the harness.
5. Reconnect power supply to the stove.

Contents

1. Blower
2. Mounting Bracket
3. IFC Blower wire harness
4. M6 x 12 hex head flange nuts, 2 - shipped installed on the stove
5. M6 x 12 wing screw
6. Wire tie

Tools Required

- 10 mm wrench
- Safety goggles
- Work gloves

See Remote Control initialization and operation instructions on pages 29-32.

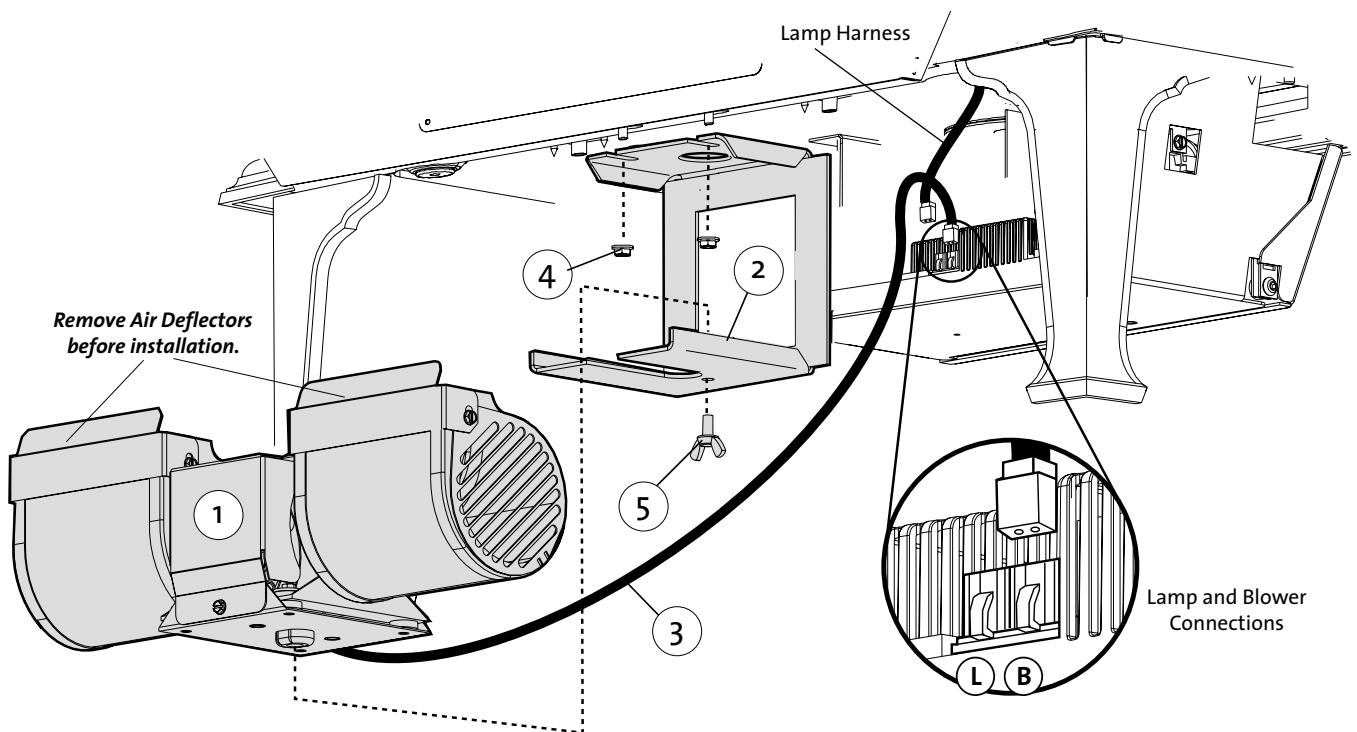


Figure 12.4. Blower Kit Components and Accent Lamp Connection to IFC board.

13. Log Set Installation

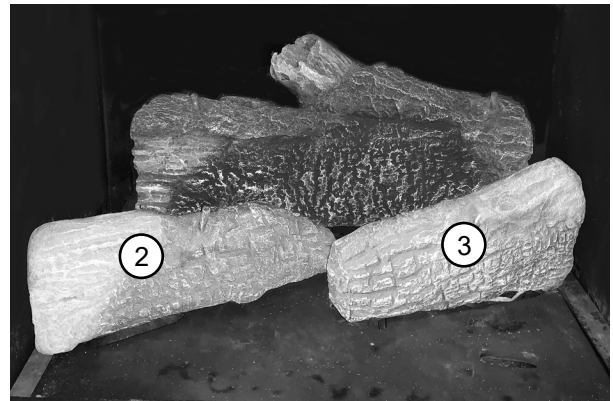
The GF 500 DV IPI log set must be installed before operating the burner. The log set includes six log pieces and a quantity of Ember Stones packaged inside the firebox. Place the logs on the Burner in the order as numbered in figs. 8.1-4.

Mate holes in the underside of logs with the pins and indentations or nubs on the adjoining parts.

#158277 Log Set Identification

Install the logs in this order:

- | | | | |
|----|-----------------|----|-----------------|
| #1 | Rear Log | #5 | Upper Right Log |
| #2 | Lower Left Log | #6 | Small Front Log |
| #3 | Lower Right Log | #7 | Ember Stones |
| #4 | Upper Left Log | | |



13.3. Set #2 Lower Left , and #3 Lower Right log onto the burner as shown.

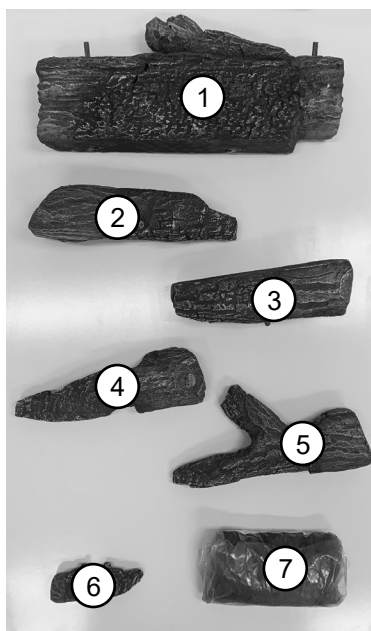


Figure 13.1 Log Identification.

WEAR GLOVES AND HANDLE THE LOGS CAREFULLY.

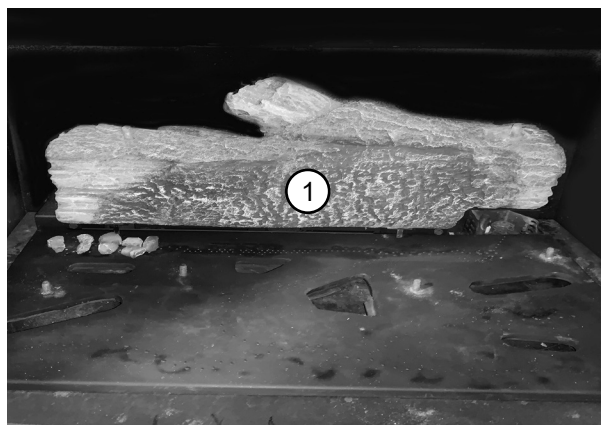


Figure 13.2. Set the #1 Rear Log onto the pins on the rear shelf as shown. Place 8 ember stones over burner ports as shown.

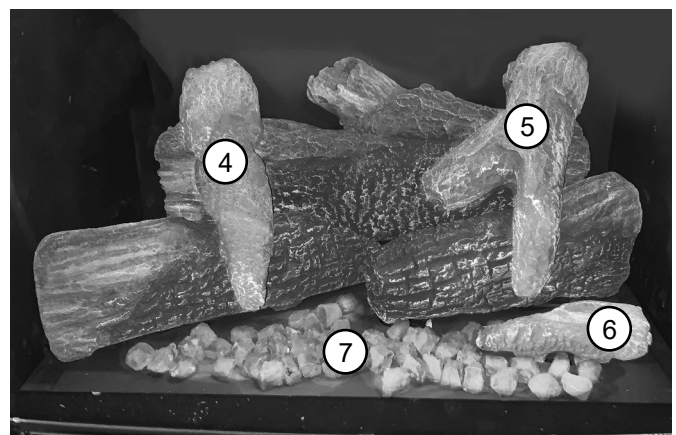


Figure 13.4. Set the #4 Upper Left, #5 Upper Right, and #6 Small Front Log into position as shown.

SPREAD EMBER STONES (#7) SPARSELY OVER BURNER PORTS AS SHOWN ABOVE.



DO NOT PLACE EMBER STONES OVER THE BURNER PORTS AT THE REAR LOG AND PILOT AREAS OTHER THAN STONES SHOWN IN FIGURE 13.2.

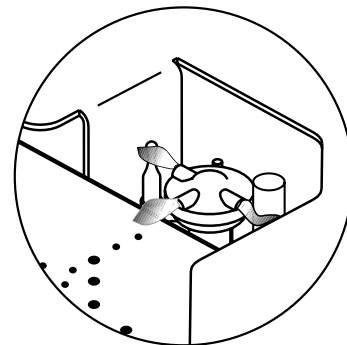


Figure 13.5. Use caution in placing the logs to ensure that the pilot carry-over ports are not obstructed.

14. System Check

Make sure the glass frame is removed prior to the systems check

1. PURGING THE GAS LINE: When lighting the appliance for the first time, it will take a few moments to clear the gas line of air. Once this purge is complete, the appliance will operate as described in the lighting instructions. From a cold start, it may be helpful to let the pilot light burn for 10 - 15 minutes to establish positive draft, before turning the burner on. See the procedure on the inside back cover of this manual. Subsequent burner starts will not require purging the gas line unless the supply line is shut off.

2. PILOT FLAME: You can monitor the pilot flame behind the burner in the cut-out under the rear log. See fig. 47. The pilot flame should be steady - not lifting or floating. The flame should be blue in color around the pilot hood, with traces of yellow toward the outer edges.

The pilot flame should engulf the top 1/8" of the flame sensor. The pilot flame should project from the pilot hood port toward the burner plate carry-over ports. Adjust the pilot flame using the adjustment screw to the left of the valve regulator. See fig. 14.1.

3. MANUAL BURNER ADJUSTMENT: This stove is equipped with a variable gas control valve that allows manual adjustment of the flame height and heat output. To adjust the flame intensity, rotate the regulator knob.

Flame height will adjust approximately 50% between the LOW and HIGH settings.

NO SMOKE OR SOOT SHOULD BE PRESENT. CHECK LOG PLACEMENT IF SOOT OR SMOKE IS PRESENT. IF SOOT OR SMOKE PERSISTS, THE AIR SHUTTER(S) MAY NEED TO BE ADJUSTED.

See Flame Appearance / Air Shutter for air shutter settings and adjustments on the next page.

Note: The more offsets there are in the vent system, the greater the need for an air shutter adjustment.

4. Burner Light-off Timing: This test confirms correct pilot-to-burner ignition.

All IPI units use automatic flame modulation technology for gas regulation.

B) Cold Start: Turn the burner ON at the remote switch and countdown in seconds the time for full burner ignition; that is, all burner ports are projecting flame. **Full burner ignition should occur within 4 seconds of switching ON. See troubleshooting in the Ceramic Burner Guide if greater than 4 seconds.**

Reinstall the glass frame prior to hot start testing.

C) Hot Start: After the burner has been on for 5-10 minutes, turn it off and wait 2 minutes. Turn it on and again record the time for full ignition. **Full burner ignition should occur within 4 seconds of switching ON. Test condition with burner on low.**

WARNING:
AIR SHUTTER ADJUSTMENTS SHOULD ONLY BE PERFORMED BY A QUALIFIED, PROFESSIONAL SERVICE TECHNICIAN.

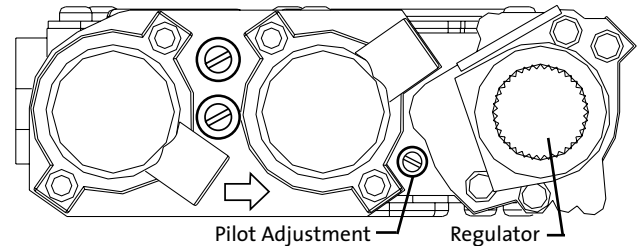


Figure 14.1. Manual flame regulation.

15. Flame Appearance / Air Shutter Adjustment

The GF 500 DV IPI gas stove is shipped from the factory equipped to burn Natural gas and the air inlet shutters have been set to provide optimal combustion efficiency under a variety of venting configurations. The air shutters may be adjusted, however, to accommodate the conditions of your individual installation and to provide the best flame picture. Other installation related variables can also affect the flame picture.

Too large an air setting - the appliance will generate a flame that is blue and transparent, or an “anemic” flame.

Too small an air setting - the appliance will generate very long yellow flames resulting in soot. Sooting produces black deposits on the logs, on the inside walls of the appliance, and potentially on the exterior termination cap. Sooting is caused by incomplete combustion in the flames and lack of combustion air entering the air shutter opening.

WARNING: AIR SHUTTER ADJUSTMENTS SHOULD ONLY BE PERFORMED BY A QUALIFIED PROFESSIONAL SERVICE TECHNICIAN.

To adjust the air shutters:

1. Reach under the stove and loosen the wingnuts. The RIGHT shutter controls the REAR Burner. The LEFT shutter controls the FRONT Burner. See fig. 15.1. Slide the wing nut studs forward toward yourself to open the air shutters and back to provide less air. Before making any adjustments, start at the factory shutter settings:
 - Natural Gas - open 1/16” (1,5 mm)
 - Propane - open 1/8” (3 mm)
2. Allow the stove to burn for 30 minutes on the HIGH setting, observing the flame continuously. If the flame appears weak, slow, or sooty, increase the air shutter opening in 1/16” increments until the desired flame picture is achieved. Fig. 15.3
3. Tighten the wing nuts to secure each shutter at the desired setting.

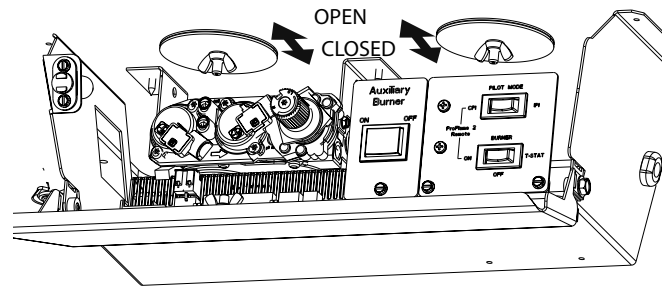


Figure 15.1.
Pull the shutter forward to increase primary air.
Push back to restrict air.

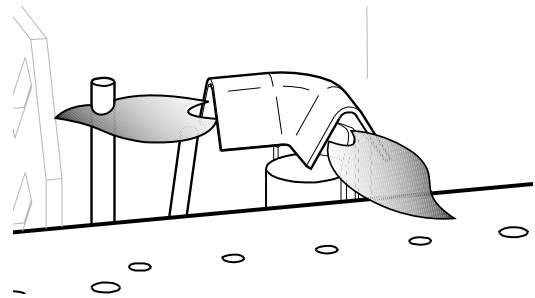


Figure 15.2. Normal Pilot flame pattern.

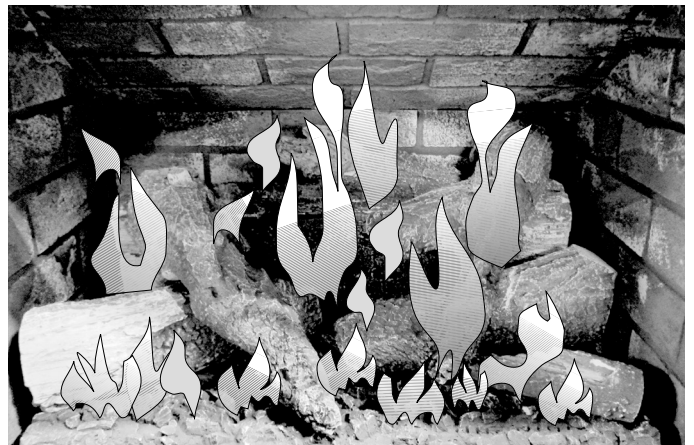


Figure 15.3. Front and Rear Flame Pattern

16. Operation

Important Notes

Check the build date on the shipping crate label. If it has been more than 6 months since the build date, be prepared to replace the IFC batteries. **NOTE:** The Auxiliary Burner will not function without battery power.

1. For the first several hours of operation, it is common to detect some odor as the metal and manufacturing materials cure under heat. This condition is temporary and can be alleviated by allowing plenty of fresh air to circulate through the area.
2. Condensation may develop on the glass upon each lighting of the appliance. This “fog” will disappear as the glass heats.
3. **IMPORTANT: It will be necessary to clean the glass after the first few fires. A white powdery residue will be evident which results from the burner media curing. Use a non-abrasive household glass cleaner and warm water. IF THE GLASS IS NOT CLEANED, THIS RESIDUE CAN CAUSE THE GLASS TO BECOME PERMANENTLY ETCHED. DO NOT USE AMMONIA-BASED CLEANERS.**
4. Keep the control compartments and area under the appliance free of dust. Always keep the appliance area clear and free from combustible materials, gasoline and other flammable liquids.
5. **This appliance can be operated with a continuously burning pilot flame for up to seven (7) days. If there has been no call for heat within that time, the pilot will shut off and will not re-ignite until the next call for heat.**

While the pilot flame is lit, exercise caution when using household products containing combustible vapors.

6. **CAUTION: DO NOT OPERATE THIS APPLIANCE WITH THE GLASS PANEL REMOVED, CRACKED OR BROKEN. REPLACEMENT OF THE GLASS SHOULD BE DONE BY A LICENSED OR QUALIFIED SERVICE PERSON. USE ONLY REPLACEMENT GLASS PROVIDED BY YOUR AUTHORIZED JØTUL DEALER. NEVER SUBSTITUTE ANY OTHER TYPE OF GLASS.**

**REMOVE GLASS ONLY FOR ROUTINE SERVICE.
ALWAYS HANDLE GLASS CAREFULLY.**

WARNING:

READ AND UNDERSTAND ALL OPERATING INSTRUCTIONS BEFORE ATTEMPTING TO OPERATE THIS APPLIANCE. DO NOT ALLOW ANYONE TO OPERATE THIS APPLIANCE WHO HAS NOT READ AND UNDERSTOOD THESE INSTRUCTIONS. KEEP THE REMOTE CONTROL TRANSMITTER WHERE CHILDREN CANNOT REACH IT.

WARNING:

SEVERE INJURY. THIS APPLIANCE CAN BE SET TO OPERATE THERMOSTATICALLY. BE AWARE THAT THE APPLIANCE MAY BE VERY HOT EVEN WHEN THE BURNER IS NOT APPARENTLY OPERATING. KEEP CHILDREN AWAY FROM THE APPLIANCE.

WARNING:

OBSERVE CAUTION NEAR THE GLASS PANEL. THE GLASS MAY SHATTER IF STRUCK BY AN OBJECT. ALWAYS HANDLE THE GLASS PANEL WITH CARE.

Manual Operation (no remote control)

Familiarize yourself with the controls of the GF 500 DV IPI and be sure that anyone else using the appliance is also familiar with the controls and operation procedures. Always follow the Lighting Instructions on the inside back cover of this manual and also located on the Control Access Panel.

This appliance is equipped with an ignition device that lights the pilot automatically. Do not try to light the pilot by hand.

In CPI mode, the pilot light will burn continuously for up to seven (7) days. If there is no call for heat within that time, the pilot will shut off and will not re-ignite until there is another call for heat. Follow the lighting instructions below.

1. Set the Burner switch to OFF. See fig. 16.1.
2. If a wall thermostat is used, set it to the lowest temperature.
3. Connect the stove to 120VAC house current with the power cord supplied.
4. Set the Pilot Mode:
 - CPI for continuous pilot operation up to 7 days or Proflame 2 remote functionality.
 - IPI for intermittent operation.
5. Once the pilot is lit, rear flame burner operation is controlled by the rocker switch located on the front panel.

ON / OFF - use for manual control of the burner.
Keep it switched to the **ON** position for use with the Proflame 2 remote transmitter.

T-STAT - use for optional wall thermostat.

6. Flame intensity can be adjusted by turning the Valve Regulator control knob.
7. The **Auxiliary Burner** (front flames) can be toggled on and off manually depending on heating needs. **THIS SWITCH REQUIRES BATTERIES TO FUNCTION. IF THE SWITCH STOPS WORKING, REPLACE THE BATTERIES.** This switch is not used with remote control functionality.

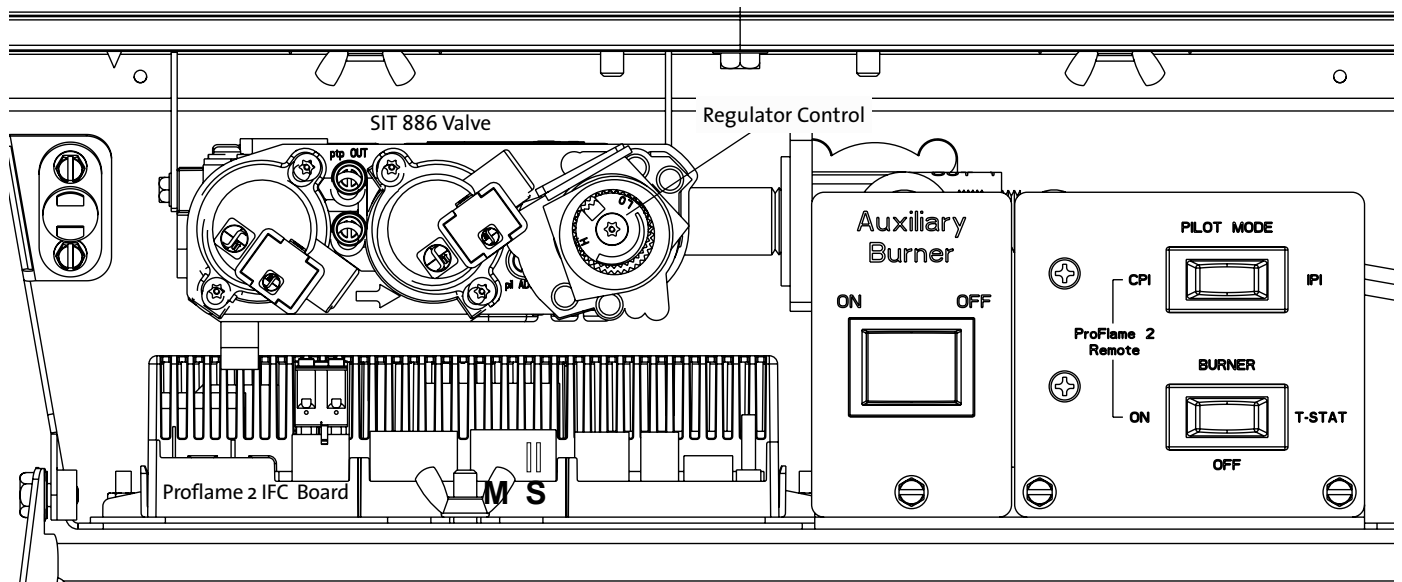


Figure 16.1. GF 500 DV IPI Controls Compartment.

Proflame 2

Remote Control

Features Overview

The Proflame 2 Integrated Fireplace Control (IFC) incorporates electronic remote control of the Jøtul GF 500 DV IPI features. It is configured to control the on/off operation both manually and thermostatically, with standard and “Smart” thermostat features. It will also control flame modulation, fan power and speed, accent lighting functions, and the Auxiliary Burner (front flames).

The system utilizes an IPI system (Intermittent Pilot Ignition) and may also be switched to keep the pilot lit continuously if desired (CPI - Continuous Pilot Ignition). Power is provided to the IFC by 120V house current and is backed-up by a 6V battery pack (four, 1.5V AA) for operation during a power failure.

Remote Control Transmitter

The remote transmitter has all controls available on its face for reliable, ease of use. It gives room temperature readout, set temperature readout, all function abilities as well as childproof lockout and low battery indicator. Icons appear on the screen indicating which mode of operation you are controlling. The four button controls are easy to learn and simple to operate. The transmitter is powered by 4, 1.5V AAA batteries.

Remote Control Receiver

The receiver is integrated with the IFC board which is located within the valve compartment.

Integrated Fireplace Control (IFC)

The IFC is the electrical heart of the system. It provides power to all components and converts to 6.5v DC in the event of power failure. The IFC also sends power to the fan system and the accent light, however, when no line power is available, these features will not operate. The battery back-up only allows continued remote control of burner functions.

Sit 886 Modulating Valve

This valve has the ability to be stepped down in six increments between high and low. It can be done manually or by setting the remote control to the Smart thermostat modulation mode. Automatic modulation means that as the room temperature approaches the limit set for shut down, the valve gradually decreases or “steps-down” the fire intensity. Conversely, as room temperature cools, the valve gradually increases flame intensity. The overall result is more comfortable, even heating that minimizes temperature peaks and valleys.

Pilot Assembly

The pilot assembly consists of a pilot hood, electrode, and a flame sensor. The electrode sends a spark to the pilot hood which ignites the gas. The sensor is then engulfed by the pilot flame, flame rectification occurs and the pilot remains lit. **The pilot will burn continuously for up to seven (7) days. If there is no call for heat within that period, it will shut off and will not re-ignite until the next call for heat.**

INSTALLER / OPERATOR NOTE

Under certain conditions wherein draft is unstable or weak, it is advisable to run the system in Continuous Pilot mode (CPI). Warm weather, extreme cold weather, a long vent run, or high wind conditions are all contributing factors that can interfere with IPI functionality. A continuously running pilot can generate sufficient heat to help establish and maintain the draft strength required for rectification to occur.

ATTENTION:

- **TURN “OFF” MAIN GAS SUPPLY PRIOR TO REMOVING OR REPLACING BATTERIES.**
- **IN CASE OF REMOTE CONTROL MALFUNCTION, TURN OFF THE IFC DEVICE USING THE MAIN “ON/OFF” SWITCH.**
- **FOR INSTALLATION/MAINTENANCE SWITCH “OFF” THE IFC DEVICE BY DISCONNECTING THE MAIN POWER SUPPLY PLUG.**

Intermittent Pilot Flame Rectification Process

When there is a call for heat, the pilot will automatically make four attempts to light the burner before locking out.

On the first attempt, the pilot will spark for up to sixty (60) seconds. If rectification occurs within that time, the burner will light off. If rectification does not occur, the pilot will extinguish.

If the main burner ignites and rectification is lost, the system will extinguish the burner and immediately ignite the pilot and relight the burner. The system will attempt to light the main burner three (3) more times. On the fourth attempt, the system will again light the pilot and then sit idle with only the pilot burning for sixty (60) seconds in order to establish draft to support combustion air flow.

If rectification still does not occur with the main burner lit, the system will “lock out”.

A lock-out condition is cleared by cancelling the call for heat; i.e. switching the burner off, or adjusting the thermostat to a lower temperature.

Conversion from Manual Control to Remote Control

The Auxiliary Burner switch has no function with Remote Control. Follow this procedure to by-pass that switch.

1. Disconnect AC power to the appliance.
2. Place the main Burner switch in the OFF position.
3. Remove the Auxiliary Burner switch plate and disconnect all six wire leads from the switch.
4. Connect the short, blue/pink wire lead labelled “S” to the terminal labelled “S” on the front of the IFC board. See fig. 16.2.
5. Tuck the remaining wire leads back within the controls compartment. Do not replace the switch plate.

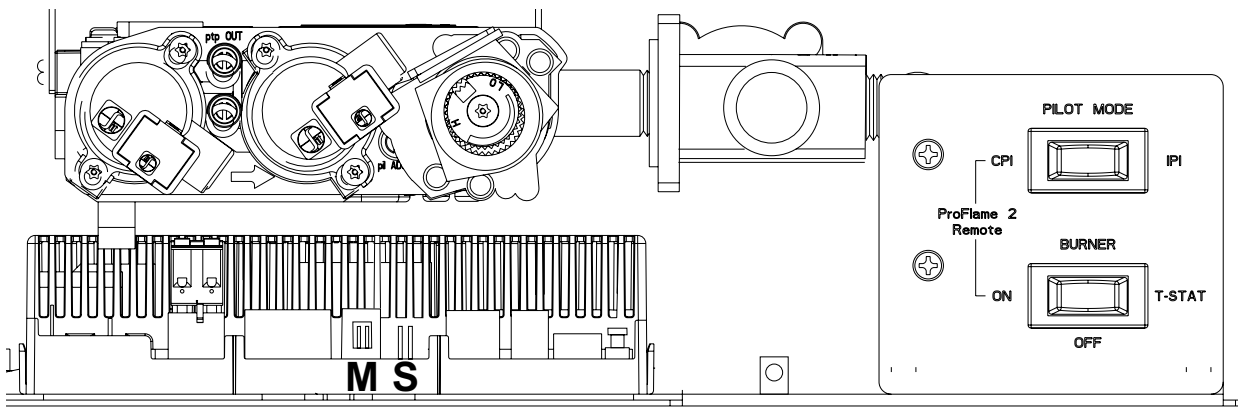


Figure 16.2.
Connect auxiliary wire lead “S” to IFC terminal “S”. Remove the Auxiliary switch from the compartment.

Control Functions

Pilot Mode

Set the stove switch to CPI mode for Proflame 2 remote control. The IPI/CPI functionality will be controlled by the remote transmitter.

The pilot light will be shut off automatically after seven days of continuous operation.

Burner Control

Set the stove burner switch to ON for Proflame 2 remote control.

OFF - Turns off both remote and manual burner functionality. Switch to OFF when the stove will not be used for an extended period of time.

Remote Transmitter

The Transmitter features a simple button layout and informative display screen. See figs. 16.3-16.4.

LCD DISPLAY - graphically indicates temperature settings and status of the Thermostat, Burner, Fan, and Accent Lamp.

ON / OFF Key - controls Burner, Fan, and Lamp functions.

THERMOSTAT Key - Used to set either Manual or Thermostatic Control and index through thermostatic functions.

UP / DOWN Arrow Key - Selects thermostat temperature range, fan speed, and flame height.

MODE Key - used to select the component to be controlled: CPI/IPI, Burner, Fan, and Accent Lamp.

The Wall Mount Bracket can be used for convenient Transmitter storage.

Initializing the System

1. Press the Controls Access Door to release its magnetic catch and swing the panel down. Switch the Burner to OFF. See fig. 16.1, pg. 29.
2. Install three AAA batteries into the Transmitter.
3. Press the red or black button on the right front corner of the IFC board, just behind the switch plate. The board will “beep” three times and a yellow LED indicates a 10-second synchronization time limit.
4. Within the 10-second time frame, push the ON button on the Transmitter. The IFC will “beep” three or four times to indicate that it has acknowledged the transmitter command and sets to the particular code of that Transmitter.
5. **After initialization, the burner switch must be placed in the ON position and Pilot Mode switch placed in CPI.** The remote can then be used to control the burner.

To return to full Manual functionality, hold the red or black initialization button down until it “beeps” three or four times and the yellow LED illuminates. Within 10 seconds, push the button again until it signals the acknowledgement.

Figure 16.3. Remote transmitter function keys.

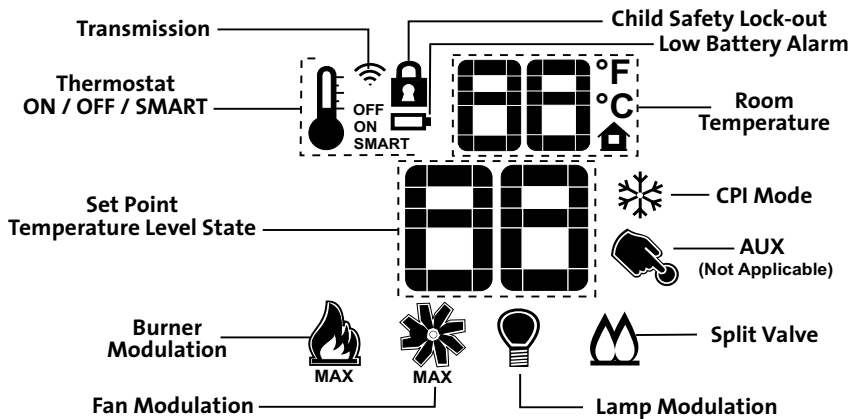
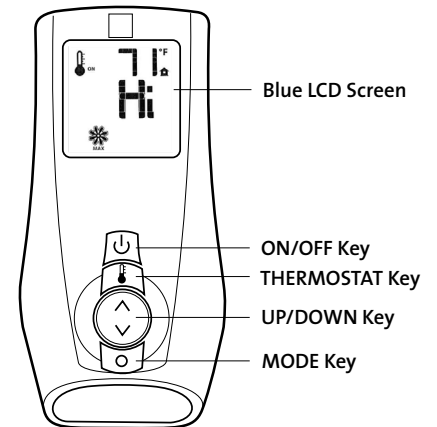


Figure 16.4. Remote transmitter display data.

Remote Transmitter Controls

Temperature Indication Display

- With the transmitter in the OFF position, press the Thermostat Key and the Mode Key at the same time. The display screen will show the current room temperature cycling between Fahrenheit and Celsius indicators each time the keys are pressed simultaneously. See fig.16.5.

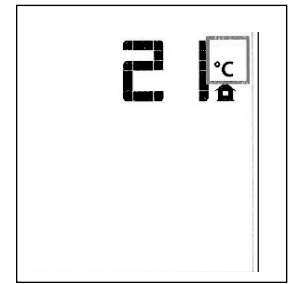
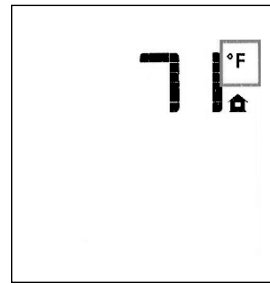


Figure 16.5. Room temperature readings

Pilot Mode

- With the transmitter in the OFF position, press the transmitter Mode key - IPI is the default mode. Fig. 16.6.
Press the Up arrow to index to the CPI icon and activate the Continuous Pilot Ignition mode. Fig. 16.7. Pressing the Down Arrow Key will return to Intermittent Pilot Ignition. A single “beep” will confirm reception of the command.

NOTE: Setting the stove Pilot Mode switch to IPI will disable remote IPI/CPI switching.

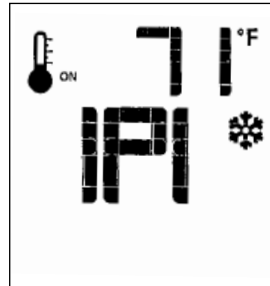


Figure 16.6. IPI is the default position.

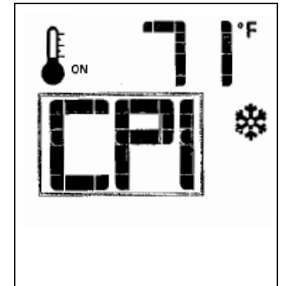


Figure 16.7. CPI ON.

Turn on the Burner

- Press the ON/OFF Key on the Transmitter.
The display will show all the active icons. At the same time, the Receiver will activate the Pilot Ignitor. First the pilot will ignite, followed shortly by the burner. A single “beep” from the Receiver will confirm reception of the command.

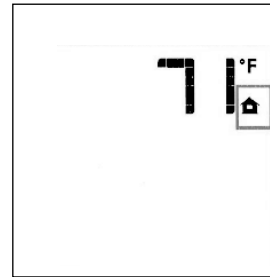


Figure 16.8. Burner shut-down



Figure 16.9. Burner OFF.

Turn off the Burner

- Press the ON/OFF Key. The display will show only the room temperature and icon. At the same time, the Receiver will deactivate the call for heat and the burner will shut down. Fig. 16.8. A single “beep” from the Receiver will confirm reception of the command.

Remote Burner Control

There are six flame levels available.

- With the system ON, and the burner flame level at maximum, press the Down Arrow Key once to reduce the flame height by one step. Each time the Down Key is pressed, the flame will step down until the burner is finally turned off. Fig. 16.9.
- The Up Arrow Key will increase the flame height each time it is pressed. If the Up Arrow Key is pressed while the system is on but the flame is off, the flame will come on in the High position as in figs. 16.10-16.12. A single “beep” will confirm reception of the command.
- The Auxiliary Burner (front flames) is activated by using the Mode Key to index to the Split Flow icon. Press the Up Arrow Key to turn it ON. Fig. 16.13. Press the Down Arrow Key to turn it OFF. A single “beep” will confirm reception of the command.

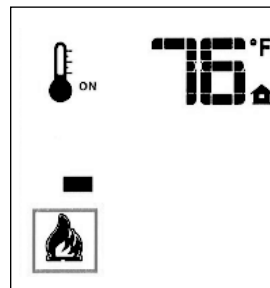


Figure 16.10. Flame Level 1.

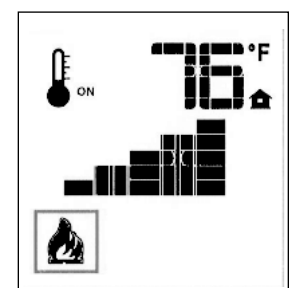


Figure 16.11. Flame Level 5.

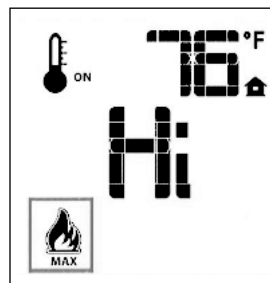


Figure 16.12. Flame Level 6.

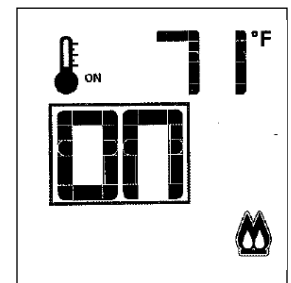


Figure 16.13. Split Flame.

Room Thermostat (Transmitter Operation)

The Remote Control can operate as a room thermostat. The thermostat can be set to a desired temperature to control the comfort level in a room.

- To activate this function, press the Thermostat Key. The display will indicate that the room thermostat is “ON” and the current Set Temperature is now displayed. Fig. 16.14.
- To adjust the Set Temperature, press the Up or Down Arrow Keys until the desired Set Temperature is displayed. Fig. 16.15.

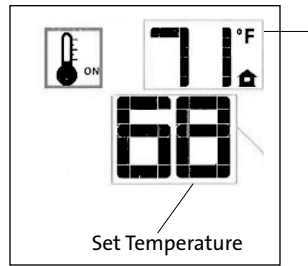


Figure 16.14. Thermostat ON.

Room Temperature

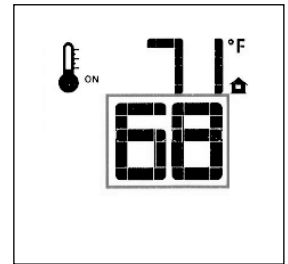


Figure 16.15. Change Set Temperature.

SMART Thermostat Function

This function adjusts the flame intensity according to the difference in the Set Point temperature and the actual room temperature. As the room temperature gets closer to the Set Point, the Smart Function will modulate flame intensity down.

- To activate this function, press the Thermostat Key until the word “SMART” appears to the right of the thermometer bulb icon. Fig. 16.16.
- To adjust the temperature, press the Up or Down Arrow Keys until the desired Set Temperature is displayed. Fig. 16.17.

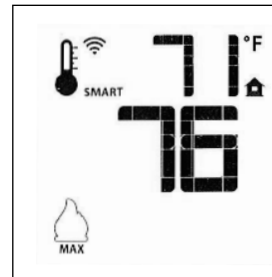


Figure 16.16. Smart Mode

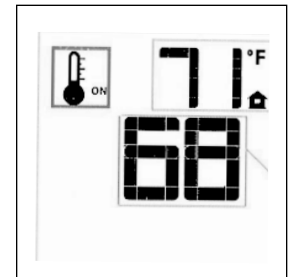


Figure 16.17. Smart Set Temp.

Fan Control

The fan speed can be adjusted through six settings. To activate this function, press the Mode Key to index to the Fan Control icon. See fig. 16.18. The fan will not function at all if it is not first set to ON.

- Use the Up/Down Arrow Keys to turn ON, OFF, or adjust the fan speed. Fig. 16.19. A single “beep” will confirm reception of the command. After a 5 minute interval, the fan will power up to its highest speed and then modulate down to the established fan speed setting. The fan will continue to operate for 12 minutes after the burner is turned off. Manual speed control is not available when the SMART Thermostat is ON.

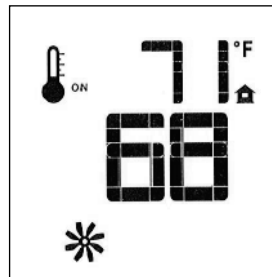


Figure 16.18. Fan Mode.

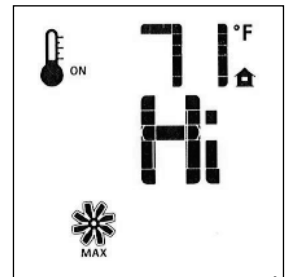


Figure 16.19. Fan Speed.

Accent Lamp Control

- With the Remote ON, press the Mode Key to index to the Lamp icon. Figs. 16.20-16.21.
- Pressing the Up Arrow Key will turn the Lamp ON. Press the arrow keys to adjust the brightness.
- Pressing the Down Arrow Key will turn the Lamp OFF.



Figure 16.20. Lamp Control.

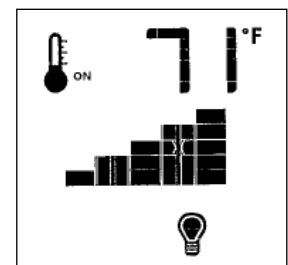


Figure 16.21. Lamp ON.

Child Safety Lock

This function will lockout the Transmitter to prevent unsupervised operation.

- To activate the Lock, press the Mode key and UP Key at the same time. Fig. 16.22.
- To de-activate the Lock, press the Mode Key and UP Key at the same time.

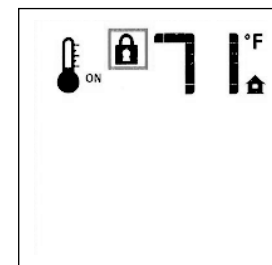


Figure 16.22. Lock ON.

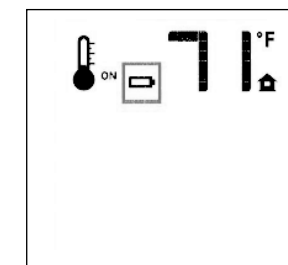


Figure 16.23. Low Battery. See page 35.

17. Maintenance

Your Jøtul GF 500 DV IPI components and its venting system should be inspected before use and at least annually by a qualified service technician.

IMPORTANT: ALWAYS TURN OFF THE GAS SUPPLY AND DISCONNECT POWER FROM THE APPLIANCE BEFORE ANY SERVICE WORK IS PERFORMED.

Annual Cleaning

Vent System

The entire vent system, including the chimney, should be inspected and cleaned every year. If the intake and exhaust venting is disassembled for any reason, it should be reassembled and sealed according to the manufacturer's instructions provided at the initial installation.

Burner System

Periodically inspect the firebox, valve compartment, convection airways and optional blower to **BE CERTAIN THAT THE FLOW OF COMBUSTION AND VENTILATION AIR IS UNOBSTRUCTED.**

The firebox and valve compartment should be vacuumed annually to remove any dust and debris. Use a soft brush attachment and handle the logs carefully as they are fragile. Vacuum more frequently if there are pets in the home.

The pilot assembly should be inspected and cleaned annually by a qualified technician. Any component showing corrosion should be replaced.

Safety Barrier Screen

The integrated, Invisimesh® safety screen, located in front of the door glass, should be periodically cleaned to remove dust, lint, and other air-borne debris. Over time, and with continuous exposure to heat, these materials can contribute to screen hue variations.

Open the front door and clean both sides of the screen using a fine, soft bristle brush or vacuum attachment. **AVOID DAMAGING THE SCREEN. APPLY ONLY VERY GENTLE PRESSURE.**

Glass Care

Clean the glass only when necessary. Wipe the surface with a clean, dampened, soft cloth. Follow with a dry, soft towel. Take care not to scratch the glass surface.

WARNING:
DO NOT USE ABRASIVE CLEANERS ON THE GLASS.
NEVER CLEAN THE GLASS WHEN IT IS HOT.
DO NOT USE AMMONIA-BASED CLEANING SOLUTIONS.

Glass and Gasket Inspection

NOTE: INSPECT THE GLASS SURFACE FOR SCRATCHES AS THESE CAN WEAKEN THE PANEL TENSILE STRENGTH. REPLACE THE PANEL IF ANY SCRATCHES ARE FOUND. USE ONLY JOTUL PN 225476. DO NOT USE ANY OTHER TYPE OF GLASS.

It is important that the glass gasket be inspected at least annually. Examine the ribbon gasket for signs of deterioration and make sure the gasket has a positive seal. Replace the gasket if necessary. Refer to the replacement parts list on page 39.

Glass Panel or Gasket Removal

1. Lift the Top Plate off of the stove.
2. Remove four hex head bolts using a 10 mm wrench and disengage the Top Convection Shroud from the top of the firebox. See fig. 2.2, page 5.
3. Release the two Glass Frame Latches. Pull each latch handle forward forward to disengage the latch from the notches in the glass frame.
4. Lift the glass frame all the way up and out of the top of the stove. Lay this assembly on a flat surface, protecting the frame from scratches using a blanket or towel.
5. The glass panel is held in place by four tabs on the frame. Use a screwdriver or small pliers to pry these up enough to release the glass panel. See fig. 17.1.
6. Remove the old gasket material.

Glass Panel or Gasket Replacement

1. Wrap the new gasketing material evenly around the edge of the glass, peeling back the protective strip to expose the adhesive as you go. See fig. 17.2. Press the adhesive side down onto the glass surface. Do not stretch the gasket.
2. Place the gasketed glass within the frame and carefully bend each of the retainer tabs back to secure the glass in the frame. The replacement glass kit 157710 includes 4 compression clips for use in case a tab should break.

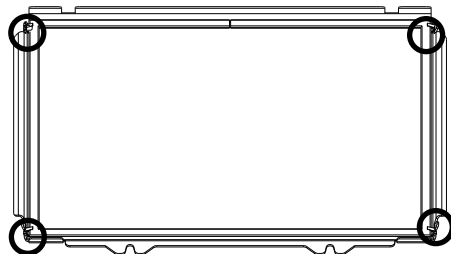


Figure 17.1.

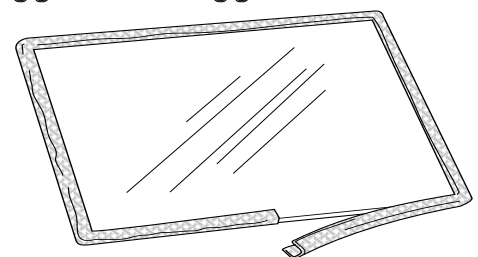


Figure 17.2.

Remote Transmitter Battery Replacement

The life-span for the transmitter batteries depends upon battery quality, the frequency of set point changes, frequency of ignition call changes, etc.

When battery power is low, a Battery icon will appear on the transmitter display before all power is lost. See fig. 16.23 Pg 34. The icon will disappear with installation of three, 1.5 AAA fresh batteries.

NOTE: Avoid inadvertently pressing the thermostat function key when replacing the batteries. Doing so will turn off that function. To restore that function, re-install the batteries while again pressing the thermostat key.

IFC Battery Replacement

A red LED on the IFC board indicates low battery power.

1. Switch Burner to OFF and disconnect power to the stove.
2. Access the battery box from behind the right side of the control compartment. See fig.18.3, pg. 38. Disengage it from the hook & loop tape.
3. Install four, 1.5v AA batteries and return box to the compartment.
4. Reconnect power to the stove.

18. Appendix

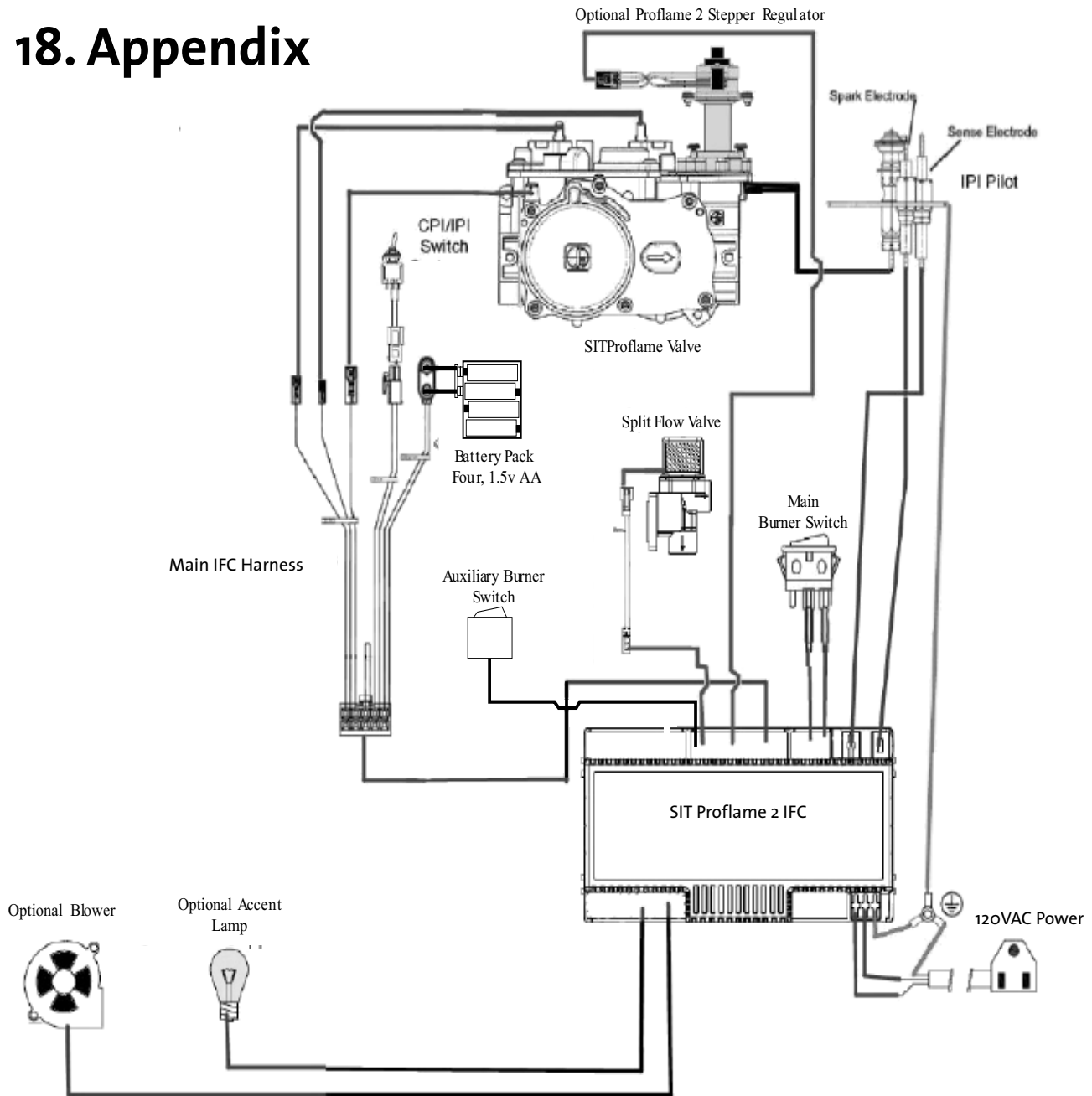


Figure 18.1. GF 500 DV IPI Proflame 2 Components

GF 500 DV IPI Illustrated Parts Breakdown

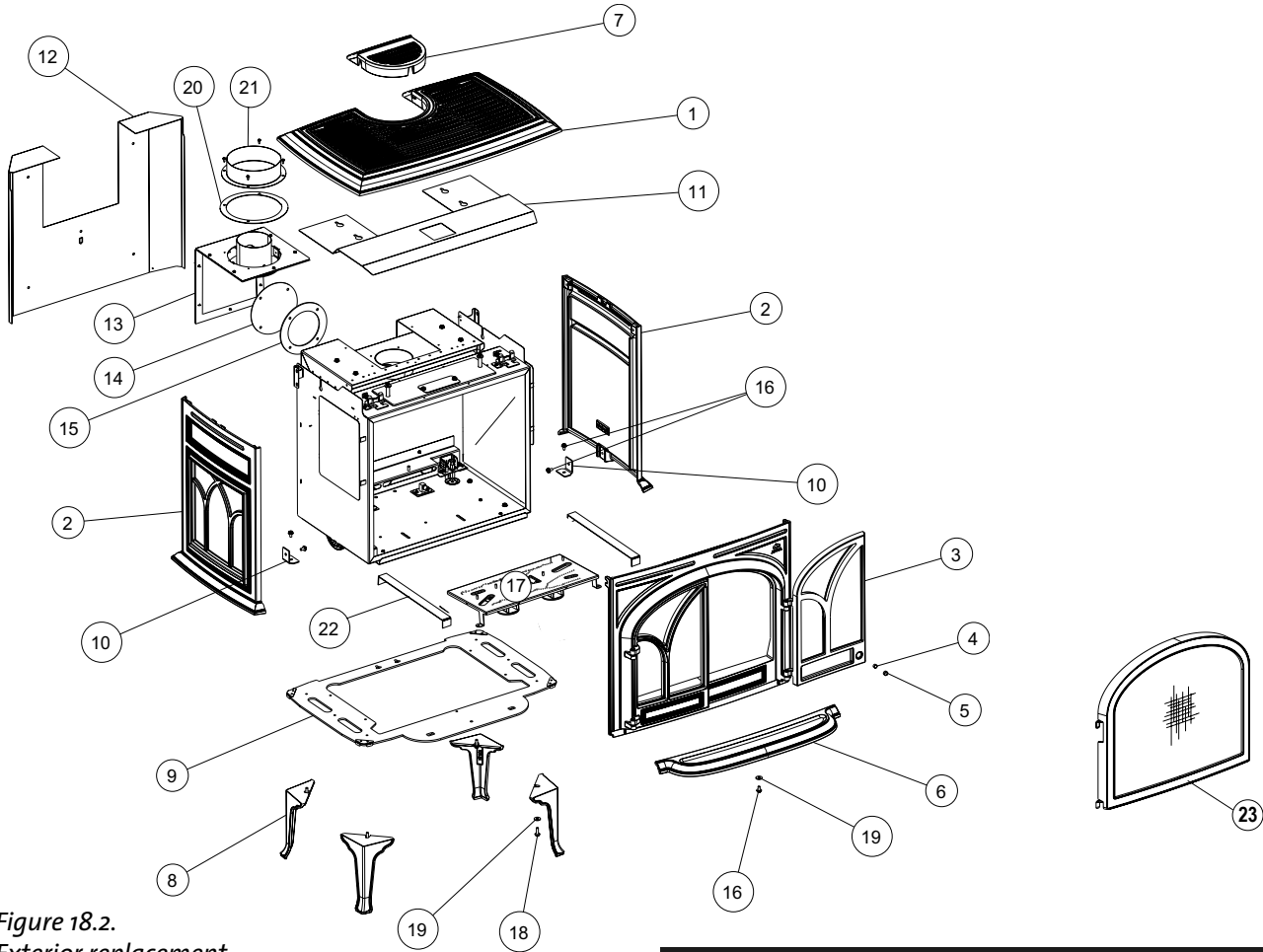


Figure 18.2.
Exterior replacement parts.

Cast Iron Parts	Matte Black	Brown Majolica
1. Top Plate	10464892	10464847
2. Side Plate	10464992	157747
3. Front Assembly *	15770392	157749
6. Ash Lip	10465392	157748
7. Top Plate Insert	10465492	10465447
8. Leg, 8"	10192592	10192547

* Front Assembly includes:
Front Plate, Left & Right Doors, and Hinge Pins

No.	Part No.	Description
4.	225338	Door Magnet
5.	224909	Magnet Cap, Hi-temp Vinyl
9.	225453	Base Plate
10.	225601	Bracket, Side to Base
11.	22557092	Top Convection Shroud
12.	22546792	Rear Shroud
13.	157712	Vent Adaptor
14.	225459	Exhaust Cover Plate
15.	225530	Exhaust Gasket, 4"
16.	117130	Bolt, M6 x 12 mm, Hex Flange
17.	158247	Burner Assembly, Replacement
18.	117117	Bolt, M6 x 20 mm, Hex Flange
19.	120004	Fender Washer, M6
20.	129118	Gasket, Vent Adaptor - 6.625" dia.
21.	129322	Vent Adaptor - 6.625" dia.
22.	225558	Side Brick Panel Support, 2
23.	157691	Safety Screen Barrier
24.	225474	Silicone Cap, Barrier Brackets - not illustrated

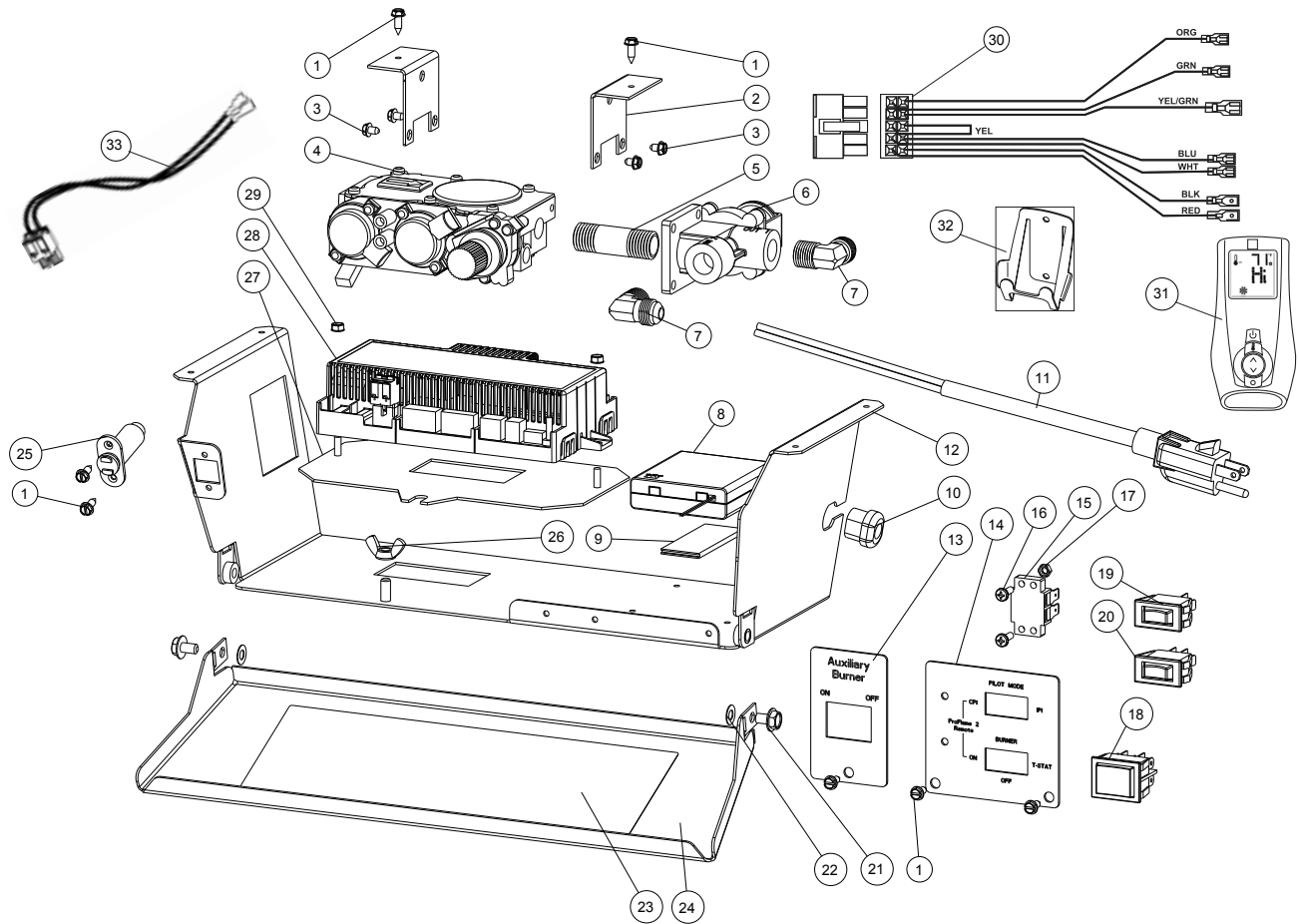


Figure 18.3.
GF 500 DV IPI Valve Assembly and IFC Components.

No.	Part No.	Description
1.	117917	Screw, #8 x 1/2" SL Blk Oxide
2.	224904	Bracket Valve
3.	118214	Screw, #8 x 1/4" Taptite
4.	224972	Valve, NG - Proflame, Manual, 5 0% TD
5.	222406	Nipple, Iron, 3/8" NPT x 2"
6.	157972	Proflame Splitflow Solenoid Valve
7.	222292	Elbow, 90° Brass, 3/8" NPT x 3/8" dia. flare
8.	157265	Replacement IPI Battery Box (4, AA)
9.	118257	Hook & Loop tape, 1" wide, self-adhesive
10.	117951	Wire Strain Relief
11.	157492	Replacement Power Cord Ass'y. IPI
12.	22545892	Control Bracket, GF 500 IPI
13.	225533	Aux. Burner Faceplate, GF 500 IPI
14.	224781	Main Control Faceplate, IPI Stoves
15.	129154	Terminal Block Bracket, 2 pole, 77 Series
16.	117921	Screw, pan hd, Ph M4 x 12mm, 8.8 Blk

No.	Part No.	Description
17.	117922	Nut, Hex M4 DIN 934 plain
18.	225532	Switch, Rocker, DPDT, Momentary, Center Off
19.	120517	Switch, Rocker, SPST, Black, Plain
20.	220703	Switch, Rocker, SPDT, Center Off, Black, Plain
21.	9962	Bolt, Hex Cap, M6 x 10 Ser. Flange
22.	117588	Washer, Hinge - M6 x 12
23.	224952	Instruction Label, Control Door
24.	22545792	Control Door
25.	224145	Magnetic Catch
26.	117975	Wing Nut, M6, Zinc
27.	224911	IFC Mounting Plate
28.	157634	Replacement Proflame 2 Control Board
	158130	Rplmt Proflame 2 Cntrl Bd (POD) > SN 4600200
29.	118055	Kepnut, M4, Ext. Tooth, Lockwasher
30.	157711	Replacement IPI Wire Harness - Split Flow
31.	157495	Replacement Multifunction Remote / Black
32.	223951BKP	Replacement Remote Wall Bracket / Black PC
33.	157494	Replacement Burner Control Wire Harness

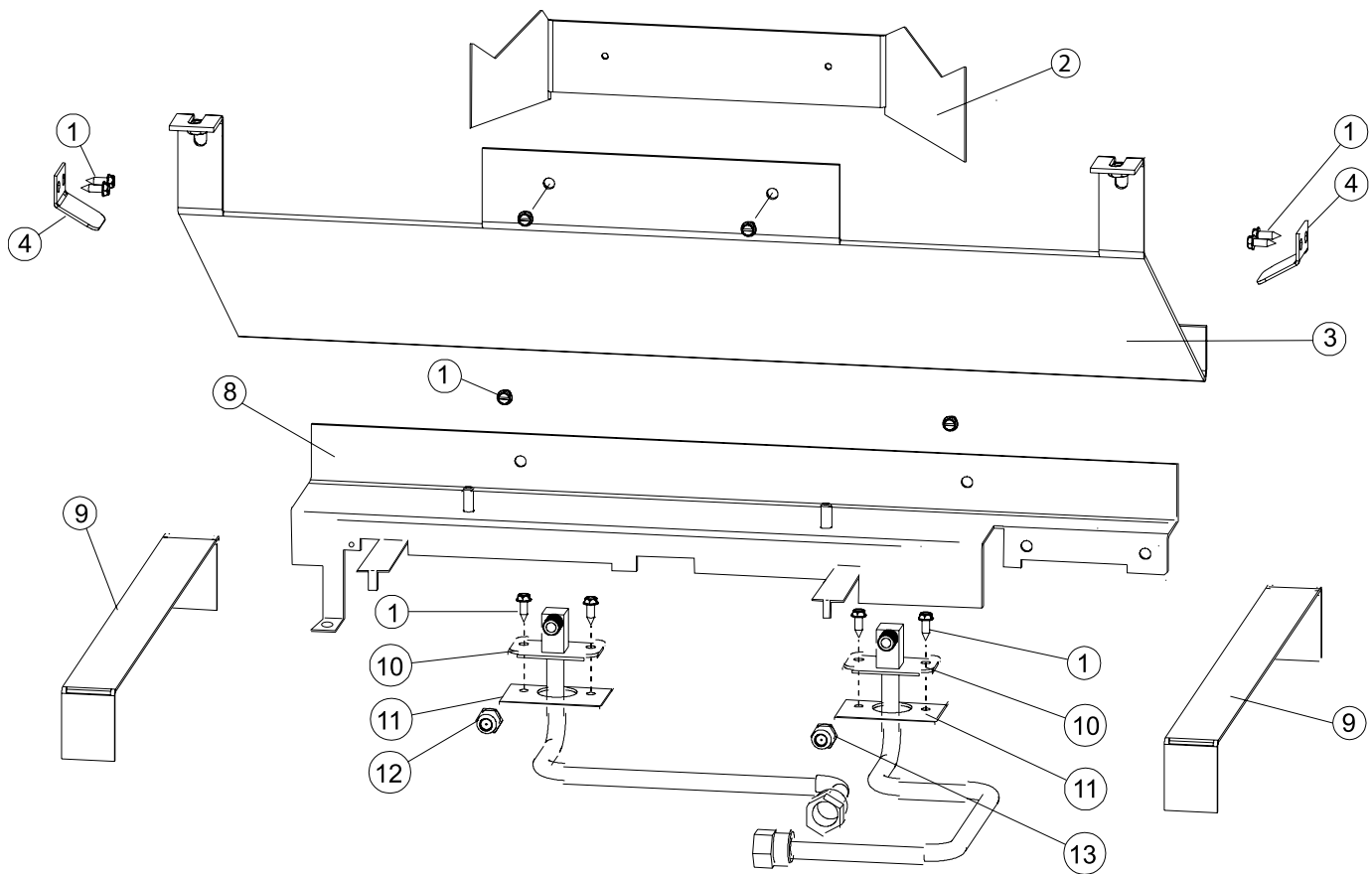


Figure 18.4.
GF 500 DV IPI Pilot and Burner components.

No.	Part No.	Description
1.	117917	Screw 8 x 12 1/2 SL Blk Oxide
2.	225528	Exhaust Baffle Wing
3.	22545692	Exhaust Baffle
4.	224931	Brick Panel Retainer
5.	225609	Pilot Shield
6.	158223	Pilot Assembly, Stainless Steel body - NG
	222758	NG pilot injector, BL20
	222759	LP pilot injector, .013
7.	225525	Grommet, Silicone - Pilot Plug
8.	22678092	Rear Log Panel Shelf
9.	22555892	Brick Panel Shelf
10.	223231	Orifice Holder, Drop-in Assembly
11.	222280	Gasket, Drop-in Orifice Holder
12.	225536	Orifice, 2.25 mm / Left, Rear Flames - NG
	129804	Orifice, 1.40 mm / Left, Rear Flames - LP
13.	220976	Orifice, #47 / Right, Front Flames - NG
	221185	Orifice, 1.20 mm / Right, Front Flames - LP
14.	225571	Pilot Bracket

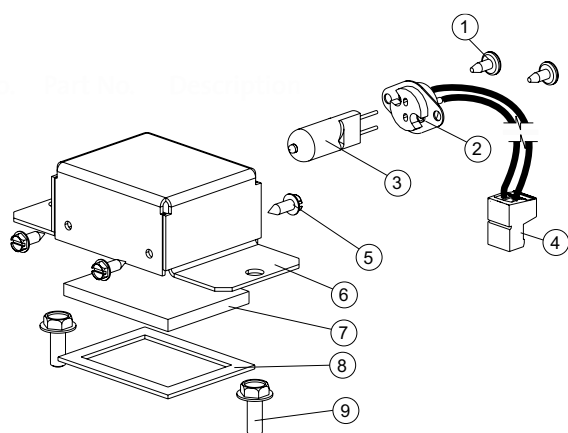


Figure 18.5.
GF 500 DV IPI Accent Lamp Assembly

No.	Part No.	Description
1.	117967	Screw, Pan Head #7 x 3/8 PH Zinc
2.	157601	Replacement Lamp Wire Harness
3.	222943	Light Bulb, 130 Volt, 50 Watt
4.	224796	Connector, 2 pin, IPI Accessories
5.	117917	Screw, 8 x 1/2 SL Blk Oxide
6.	22476392	Light Box, Delay Door Mount
7.	222974	Glass, Ceramic, Light Fixture
8.	222977	Gasket, Light Cover
9.	99625	Bolt, Hex Head Serr Flange M6 x 16mm 8.8 Blk

GF 500 DV IPI Accessories	
Description	Part No.
Premium Upgrade Kit / NG	157498
Premium Upgrade Kit / LP	157499
Proflame 2 Remote Control / Multifunction	157495
Blower Kit w/ Multifunction Remote	157470
Accent Lamp (requires Multifunction Remote)	157469
Flame Control Kit / NG (requires Multifunction Remote)	157496
Flame Control Kit / LP (requires Multifunction Remote)	157497
Wall Thermostat	750003
Brick Panel Kit	157697
Short Leg Kit / Matte Black	350074
Short Leg Kit / Brown Majolica Enamel	351147
Leg Leveler	156096
Fuel Conversion Kit, Propane	157693
Fuel Conversion Kit, Natural Gas	157694
High Altitude Adjustment Kit / LP	157695
High Altitude Adjustment Kit / NG	157696
Snorkel Insulation Blanket	225606

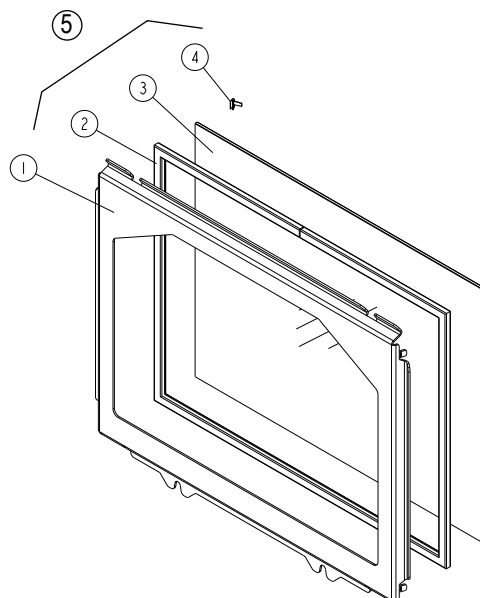


Figure 18.6.
GF 500 DV IPI Glass Assembly

No.	Part No.	Description
1.	22677692	Glass Frame
2.	129124	Gasket, Tadpole - .25 dia. x 1.25", 6 ft.
3.	226734	Glass Panel, Ceramic
4.	220042	Replacement Glass Clips, 4
5.	158267	Replacement Glass Kit, GF 500 DV IPI

Replacement Log Set Parts / See pg. 25

No.	Part No.	Description
1.	226928	Rear Log
2.	226929	Lower Left Log
3.	226930	Lower Right Log
4.	226931	Upper Left Log
5.	226932	Upper Right Log
6.	226933	Small Front Log
7.	220702	Ember Stones
8.	157259	Rock Wool, 1 oz.
9.	158277	Complete Log Set

Replacement Double-sided Brick Panel Parts / See pg. 22

1.	225594	Rear Panel
2.	225595	Baffle Panel
3.	225596	Side Panel, A1
4.	225597	Side Panel, 2A

Mobile Home Installation

The GF 500 DV IPI can be installed for use in a mobile home in the U.S. and Canada provided:

1. The stove is secured to the floor of the mobile home. Use Jøtul Floor Bracket Kit #750304.
2. Provision must be made to secure an electrical ground between the stove and the mobile home chassis.
3. The stove is installed in accordance with Title 24 CFR, Part 3280- Manufactured Home Construction and Safety Standard, in the U.S. In Canada, comply with CSA Z240.4, Gas Equipped Recreational Vehicles and Mobile Housing.
4. Always contact your local officials about installation restrictions and requirements in your area.

THIS APPLIANCE MAY BE INSTALLED AS AN OEM INSTALLATION IN A MANUFACTURED (MOBILE) HOME AND MUST BE INSTALLED IN ACCORDANCE WITH THE MANUFACTURER'S INSTRUCTIONS AND THE MANUFACTURED HOME CONSTRUCTION AND SAFETY STANDARD, TITLE 24 CFR, PART 3280. THIS APPLIANCE IS ONLY FOR USE WITH THE TYPE OF GAS THAT IS INDICATED ON THE STOVE'S RATING PLATE. A GAS CONVERSION KIT IS PROVIDED WITH THE GF 500 DV IPI GAS STOVE.

THIS APPLIANCE MAY BE INSTALLED IN AN AFTERMARKET PERMANENTLY LOCATED, MANUFACTURED (MOBILE) HOME, WHERE NOT PROHIBITED BY LOCAL CODES.

CET APPAREIL PEUT ETRE INSTALLE DANS UN MAISON PREFABRIQUEE (MOBILE) DEJA INSTALLEE A DEMEURE SI LES REGLEMENTS LOCAUX LE PERMETTENT. CET APPAREIL DOIT ETRE UTILISE UNIQUEMENT AVEC LES TYPES DE GAS INDIQUES SUR LA PLAQUE SIGNALETIQUE. NE PAS L'UTILISER AVEC D'AUTRES GAS SAUF SI UN KIT DE CONVERSION CERTIFIE EST INSTALLE.

19. Jøtul Gas Product Warranty

This warranty policy applies to gas products identified by Jøtul, Scan, and Atra trade names, as set forth below.

A. LIMITED FIVE YEAR WARRANTY - Cast Iron, Steel Doors, Surround Components, Firebox:

Jøtul North America Inc. (JØTUL) warrants, to the original retail purchaser, that those components of the Jøtul, Scan, or Atra Gas Stove or Fireplace specified above will be free of defects in material and workmanship for a period of five (5) years from the date of purchase. This warranty is subject to the terms, exclusions and limitations set forth in the following text.

B. LIMITED TWO YEAR WARRANTY - Burner, Steel Burner, Burner Treatments, Firebox Panels:

JØTUL warrants, to the original retail purchaser, that those components of the Jøtul, Scan, or Atra Gas Stove or Fireplace specified above will be free of defects in material and workmanship for a period of two (2) years from the date of purchase. **Steel burners** are warranted against functional defects for a period of two (2) years from the date of purchase. This warranty is subject to the terms, exclusions, and limitations set forth in the following text.

C. LIMITED TWO YEAR WARRANTY - Enamel Finish:

JØTUL warrants, to the original retail purchaser, the enamel finish on cast iron components of the Jøtul Stove or Fireplace Insert specified above against peeling or fading for a period of two (2) years from the date of purchase. This warranty is subject to the terms, exclusions and limitations set forth below.

D. LIMITED ONE YEAR WARRANTY - Gas & Electrical Components (controls, plumbing, valve, blower):

JØTUL warrants, to the original retail purchaser, that those components of the Jøtul, Scan, or Atra Gas Stove or Fireplace specified above will be free of defects in material and workmanship for a period of one (1) year from the date of purchase. This warranty is subject to the terms, exclusions, and limitations set forth in the following text.

JØTUL will repair or replace (including parts & labor), at its option, any of the above components determined by JØTUL to be covered by this warranty. You must, at your own expense, arrange to deliver or ship the component to an authorized Jøtul, Scan, or Atra dealer and arrange for pickup or delivery of the component after repairs have been made. If, upon inspection, JØTUL determines that the component is covered by this warranty, the repair or replacement will be made as set forth above. This warranty is not transferable and is extended only to, and is solely for the benefit of, the original retail purchaser of the Jøtul, Scan, or Atra Gas Stove or Fireplace. This paragraph sets forth the sole remedy available under this warranty in the event of any defect in the Jøtul, Scan, or Atra Gas Stove or Fireplace.

The warranty period for any replaced component will be the remaining unexpired portion of the warranty period for the original component. Please retain your dated sales receipt in your records as proof of purchase.

EXCLUSIONS AND LIMITATIONS

NOTICE: This warranty is void if installation or service is performed by someone other than an authorized installer, service agency or gas supplier, or if installation is not in conformance with the installation and operating instructions contained in this owner's manual or local and/or national fire and building regulations. A listing of local authorized installers, service agencies and gas suppliers can be obtained from the National Fireplace Institute at <http://www.nficertified.org/>.

This warranty does not cover the following:

- 1) Repair or replacement of parts that are subject to normal wear and tear during the warranty period or to parts that may require replacement in connection with normal maintenance. These parts include paint, lamp bulbs, gaskets and glass (except to the extent such parts suffer damage from thermal stress).
- 2) Damage due to incorrect installations not in conformance with the installation instructions contained in this owner's manual or local and/or national fire and building regulations.
- 3) Damage due to service performed by an installer, service agency or gas supplier, unless otherwise agreed to in writing by JØTUL.
- 4) Labor or other costs associated with the repair of gas controls, plumbing, burners, log set, or sheet metal firebox beyond the warranty period.
- 5) Damage caused by unauthorized modification, use or repair.
- 6) Damage to enameled surfaces caused by improper operation or misuse, including use that is not in conformance with the operating instructions contained in this owner's manual. Such damage can typically be identified by bubbling, cracking, or discoloration of the enamel finish.
- 7) Costs incurred by travel time and/or loss of service.
- 8) Damage incurred while the Jøtul, Scan, or Atra Gas Stove or Fireplace is in transit.

IN NO EVENT SHALL JØTUL, ITS PARENT COMPANY, SHAREHOLDERS, AFFILIATES, OFFICERS, EMPLOYEES, AGENTS OR REPRESENTATIVES BE LIABLE OR RESPONSIBLE TO YOU FOR ANY SPECIAL, INDIRECT, INCIDENTAL, CONSEQUENTIAL, PUNITIVE OR OTHER SIMILAR DAMAGES, INCLUDING, BUT NOT LIMITED TO, LOST PROFITS, LOST SALES, INJURY TO PERSON OR PROPERTY, OR DAMAGES TO A STRUCTURE OR ITS CONTENTS, ARISING UNDER ANY THEORY OF LAW WHATSOEVER. ALL IMPLIED WARRANTIES, INCLUDING THE IMPLIED WARRANTIES OF MERCHANTABILITY AND FITNESS FOR A PARTICULAR PURPOSE, OR OTHERWISE, ARE LIMITED IN DURATION TO THE LENGTH OF THIS WRITTEN WARRANTY. EXCEPT AS EXPRESSLY SET FORTH HEREIN, JØTUL MAKES NO ORAL, WRITTEN OR OTHER WARRANTY WITH RESPECT TO JØTUL, SCAN OR ATRA GAS STOVES OR FIREPLACES.

Some states do not allow the exclusion or limitation of incidental or consequential damages, or limitations on the length of implied warranties. Therefore, the above exclusions or limitations may not apply to you. This warranty gives you specific legal rights, and you may have other rights, which vary from state to state.

JØTUL reserves the right to discontinue, modify or change the materials used to produce the Jøtul, Scan, or Atra Gas Stove or Fireplace. JØTUL shall have the right to replace any defective component with substitute components determined by JØTUL to be of substantially equal quality and price. The dollar value of JØTUL's liability for breach of this warranty shall be limited exclusively to the cost of furnishing a replacement component. JØTUL shall not in any event be liable for the cost of labor expended by others in connection with any defective component. Any costs or expenses beyond those expressly assumed by JØTUL under the terms of this warranty shall be the sole responsibility of the owner(s) of the Jøtul, Scan, or Atra Gas Stove or Fireplace.

No dealer, distributor, or other person is authorized to modify, augment, or extend this limited warranty on behalf of JØTUL. NO MODIFICATION OR CHANGE TO THIS WARRANTY WILL BE EFFECTIVE UNLESS IT IS MADE IN A WRITTEN DOCUMENT MANUALLY SIGNED BY AN AUTHORIZED OFFICER OF JØTUL.

An authorized installer may have been provided with certain information related particularly to the Jøtul, Scan, or Atra Gas Stove or Fireplace; however, no authorized installer or other person who may service the appliance is an agent of JØTUL. No inference should be made that JØTUL has tested, certified, or otherwise pronounced any person as qualified to install or service the appliance. JØTUL shall not be liable or otherwise responsible for any error or omission by a person installing or servicing a Jøtul, Scan, or Atra Gas Stove or Fireplace.

If you believe your Jøtul, Scan, or Atra Gas Stove or Fireplace is defective, you should contact your nearest authorized Jøtul, Scan, or Atra dealer, who will process a warranty claim. IN ORDER TO QUALIFY FOR WARRANTY COVERAGE, JØTUL MUST RECEIVE NOTICE OF A POSSIBLE DEFECT WITHIN SIXTY (60) DAYS OF THE DATE THE DEFECT IS FIRST DISCOVERED, OR REASONABLY COULD HAVE BEEN DISCOVERED.

This warranty is given by Jøtul North America, Inc.,
55 Hutcherson Drive, Gorham, Maine 04038 USA

This page is intentionally blank.

LIGHTING INSTRUCTIONS

FOR YOUR SAFETY, READ BEFORE LIGHTING.

WARNING:

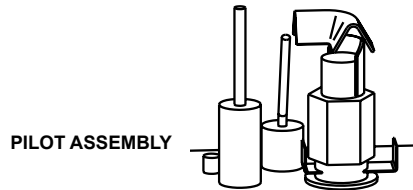
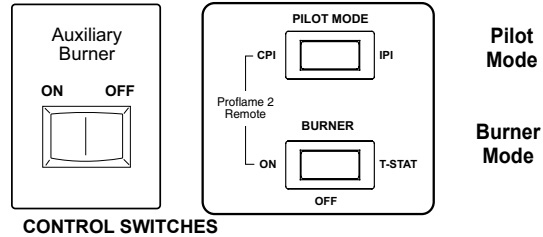
IF YOU DO NOT FOLLOW THESE INSTRUCTIONS EXACTLY, A FIRE OR EXPLOSION MAY RESULT CAUSING PROPERTY DAMAGE, PERSONAL INJURY, OR LOSS OF LIFE.

- A.** This appliance is equipped with an ignition device which automatically lights the pilot. **Do Not** try to light the pilot by hand.
- B. BEFORE LIGHTING**, smell all around the appliance area for gas. Be sure to smell next to the floor because some gas is heavier than air and will settle to the floor.
- WHAT TO DO IF YOU SMELL GAS:**
- Extinguish any open flame
 - Open windows.
 - Do not light this or any other appliance.
 - Do not touch any electrical switches.
 - Do not use any phone in your building.
 - Immediately call your gas supplier from a neighbor's phone.
 - If your gas supplier cannot be reached, call the fire department.
- C.** Use only your hand to turn the gas control knob. Never use tools. If the knob will not turn by hand, do not try to force it or repair it. Call a qualified technician. Force or attempted repair may result in a fire or explosion.
- D.** Do not use this appliance if any part has been under water. Immediately call a qualified service technician to inspect the appliance and to replace any part of the control system and any gas control which has been under water.

OPERATING INSTRUCTIONS

1. STOP! Read the safety information above.
2. Set the thermostat, if equipped, to the lowest setting.
3. Set the Burner switch to the "OFF" position.
4. This appliance is equipped with an ignition device which automatically lights the pilot. Do not try to light the pilot by hand.
5. Wait five (5) minutes to clear out any gas. Then smell for gas, including near the floor.
7. Set the Burner switch to the "ON" or "T-STAT" position.
8. Set the Auxiliary Burner switch to ON for front burner functionality.

3. Set the Burner switch to the "OFF" position.
4. This appliance is equipped with an ignition device which automatically lights the pilot. Do not try to light the pilot by hand.
5. Wait five (5) minutes to clear out any gas. Then smell for gas, including near the floor.
If you smell gas, STOP! Follow "B" in the safety information above on this label. If you do not smell gas, go to the next step.
6. Set the Pilot Mode switch to CPI for continuous operation. The pilot will light. Set Pilot to IPI for thermostatic operation. The pilot will light when there is a call for heat.



9. Set the thermostat to the desired setting to light the burner. If the appliance will not operate, follow the instructions "To Turn Off Gas To The Appliance", and call your service technician or gas supplier.

TO TURN OFF GAS TO THE APPLIANCE

1. Set the thermostat to the lowest setting.
2. Turn off all electric power to the appliance if service is to be performed.
3. Set the Burner switch to the "OFF" position.
4. Close control access door.

March 2022
139636-H

This appliance must be installed in conformance with local and national building regulations. Before beginning the installation, it is important that these instructions be carefully read and understood. Jøtul maintains a policy of continual product development. Consequently, products may differ in specification, color or type of accessories from those illustrated or described in various publications.

Your stove has a unique serial number stamped on the rating plate which is hung on the back. Please record the serial number in the space below. You may also wish to attach your purchase receipt to this page for future reference.

MODEL NAME: Jøtul GF 500 DV IPI (POD)

SERIAL NUMBER: _____

DATE OF PURCHASE: _____

AUTHORIZED DEALER: _____

ADDRESS _____

PHONE: _____

INSTALLER: _____

FUEL TYPE: _____

FUEL CONVERSION: NO _____ YES _____

INSTALLATION DATE: _____

INSTALLATION TECHNICIAN: _____



Jøtul ASA
P.O. Box 1411
N-1602 Fredrikstad
Norway

Jøtul North America
55 Hutcherson Dr.
Gorham, Maine 04038-2634